

SPECIFICATIONS

[General Specifications]

Product Name	LED Work Light	
Model	CLN-24A-CD-T	
Luminous Color	Daylight	
Color Temperature (typ.)	6500 K	
Illuminance (typ.) (Center , at 24V DC)	1.0m	820 lx
	2.0m	200 lx
Total Luminous Flux (typ.)	550 lm	
Rated Voltage	24V DC (Polarized)	
Operating Voltage Range	24V DC $\pm 10\%$	
Rated Current Consumption	174 mA $\pm 10\%$	
Rated Power Consumption	4.2 W	
Operating Ambient Temperature	-40°C to +60°C	
Operating Ambient Humidity	Less than 90% (No condensation)	
Mounting Location	Indoor	
Mounting Direction	All Directions	
Protection Rating	IP66G/67G (JIS C0920) / 69K (DIN 40050 part9)	
Environmental Condition	Cable Connector not included	
Insulation Resistance	More than 5M Ω at 500VDC between live part and non-current carrying metallic part	
Withstand Voltage	500V AC applied for 1min between live part and non-current carrying metallic part without breaking insulation	
Vibration Resistance	30Hz Total amplituded 0.3mmp-p Back and Forth, Up and Down, Left and Right for 2hrs. Each Total amplituded 0.3mmp-p(10 to 57Hz) Acceleration 19.6m/s ² (57 to 150Hz) (JIS C60068-2-6)	
Mass (Tolerance $\pm 10\%$)	390g	
Outer Dimensions	Refer to the Outer Dimension Drawing	
Conformity Standards	UL 2108, CSA-C22.2 No. 250.0 EMC Directive (EN 55015, EN 61000-6-2) RoHS Directive (EN IEC 63000)	
Remarks	<ul style="list-style-type: none"> • Conforms to the CE requirements • UL Listed (File No.E306141) • Specifications and dimensions may change without prior notice for improvements, etc. • Due to the characteristics of the LED, color temperature, brightness and hue will differ for every LED and every product. • This product's illuminance may be affected when used in airtight conditions. 	

1

2

3

4 ▽

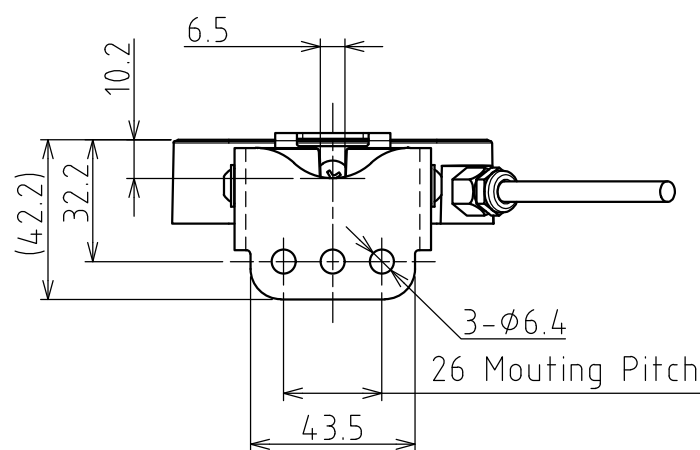
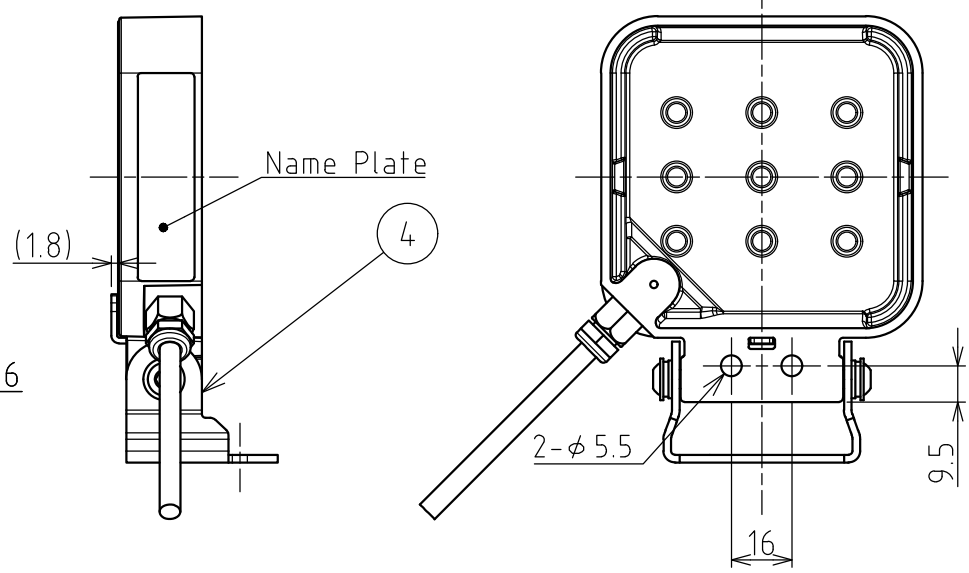
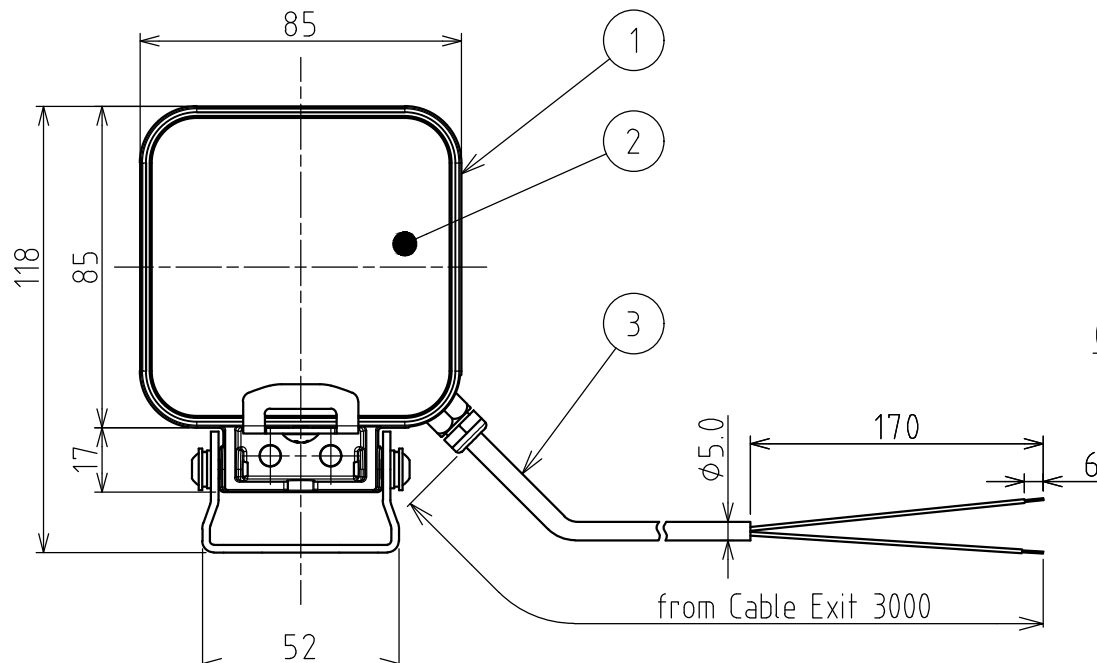
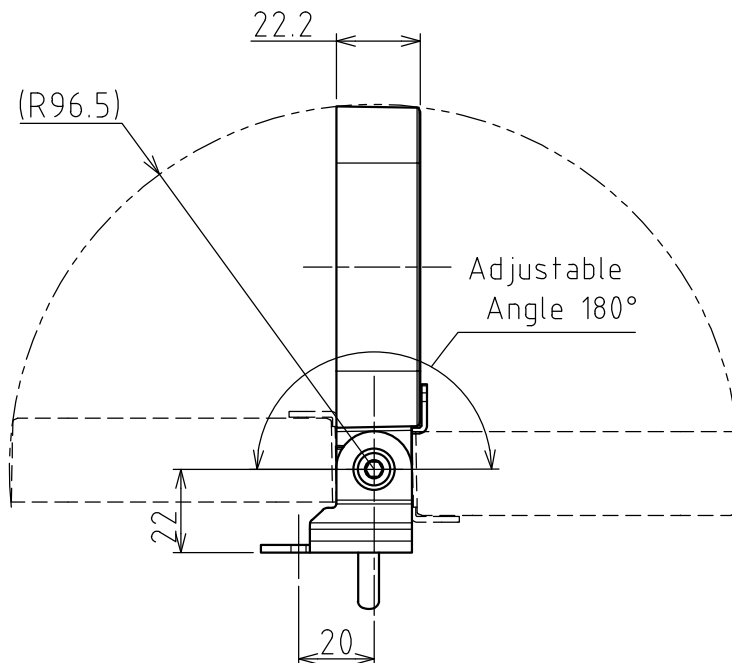
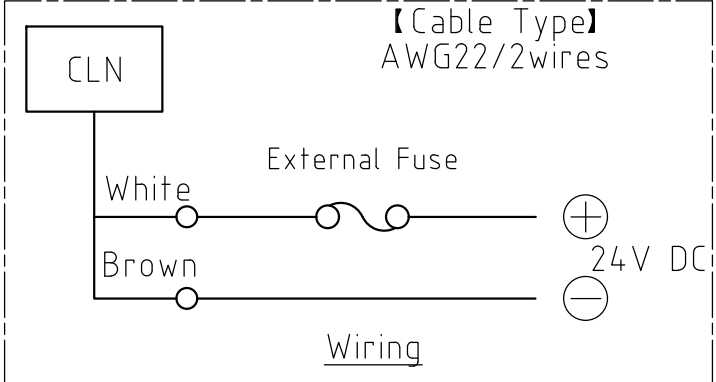
5

6

7

8

指定 外公差 General Tolerance	角度公差 ±[°] Angular tolerance ±[°]			寸法公差 ±[mm] Dimensional tolerance ±[mm]					図番 Drawing No. CLN-24A-T-W18		ページ Page 2 / 2	
	短辺 長さ Length of short side	~	~100	精 f	6	30	120	300	1000	改訂 Rev.	年月日 Date	改訂履歴 Revisions
	精 f	1	0.5	0.3	0.1	中 m	0.1	0.3	0.5	0.7	1	
粗 v	3	1.5	1	0.5	粗 c	0.3	0.5	1	1.2	2		



4	Tilt-Bracket	1	SUS304 , t2.0
3	Power Cable	1	AWG22 / 2Wires
2	Glass (Lens)	1	Tempered Glass
1	Body	1	Aluminium Alloy
番号 No.	部品名 Part Name	数量 Qty.	記事 Remarks
機種 Model	CLN-24A-CD-T	特注No. S.P.No.	-
		図名 Name	Outer Dimensions Drawing
品目コード Part No.	-	尺度 Scale	三角法 3rd Angle P.
		単位 Unit	mm
株式会社 パトライト PATLITE Corporation			

1

2

3

4 △

5

6

7

8 Ver.2.2 A3