

# CLIFF

## 3.5mm S6 MONO JACK SOCKETS



**CL1382A** - S6/BB Grey Solder Tag

**CL1384A** - S6/BB Grey PCB Tag



**CL1382G** - S6/BB Green Solder Tag

**CL1384G** - S6/BB Green PCB Tag



**CL1382L** - S6/BB Blue Solder Tag

**CL1384L** - S6/BB Blue PCB Tag



**CL1382P** - S6/BB Opal Solder Tag

**CL1384P** - S6/BB Opal PCB Tag



**CL1382R** - S6/BB Red Solder Tag

**CL1384R** - S6/BB Red PCB Tag



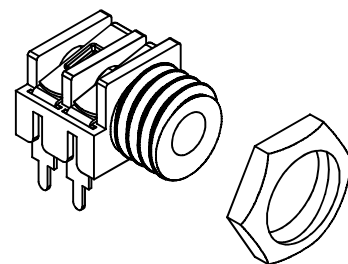
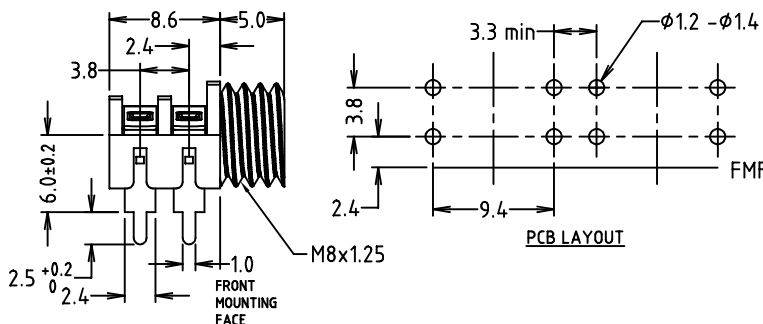
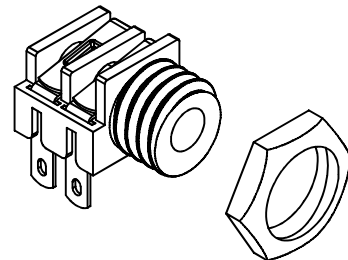
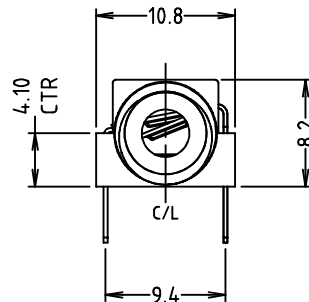
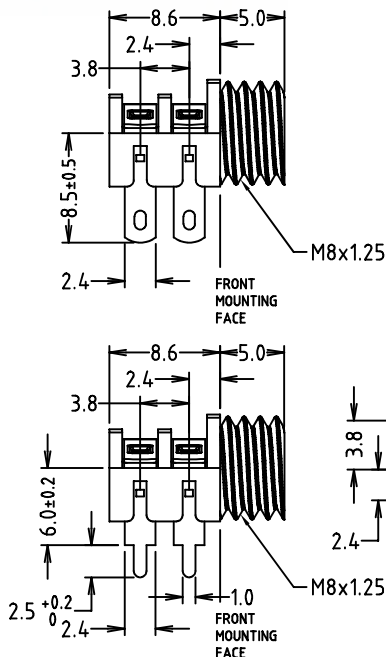
**CL1382W** - S6/BB White Solder Tag

**CL1384W** - S6/BB White PCB Tag



**CL1382Y** - S6/BB Yellow Solder Tag

**CL1384Y** - S6/BB Yellow PCB Tag



### Notes:

- S6 Sockets are only guaranteed to perform the switch switch (SS) function. Users requiring break functions (B) must satisfy themselves that the product is suitable for their application. Cliff accepts no responsibility for use outside the (SS) function.
- Max panel thickness is 3.0mm.
- Material: Jack body - PP, Contacts - Nickel Silver / Tin plated.
- Supplied with 1 nut unassembled. Nut material: Brass / Nickel plated.