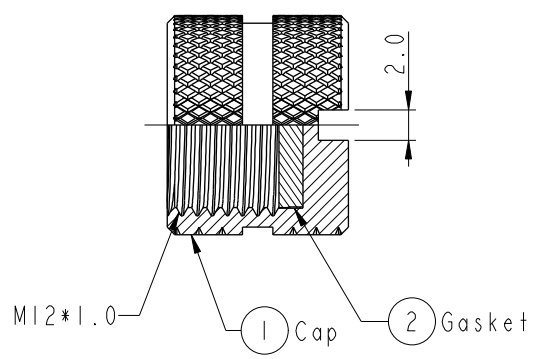
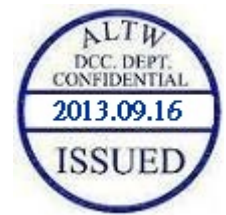
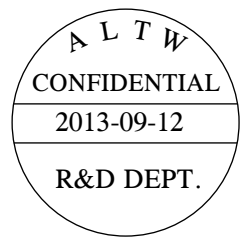
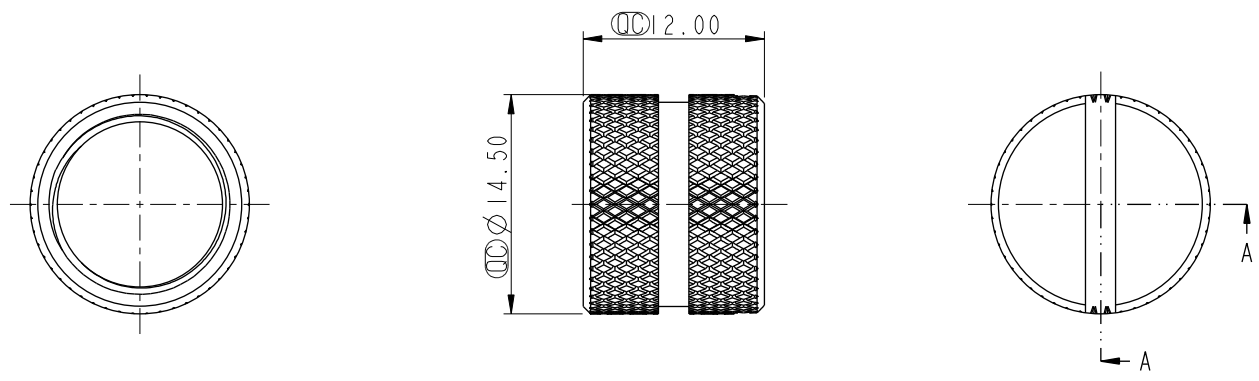


THIS DOCUMENT IS SUBJECT TO CHANGE WITHOUT NOTICE. IT IS CONFIDENTIAL AND A PROPERTY OF Amphenol LTW. DISCLOSURE TO THIRD PARTY HAS TO BE AUTHORIZED BY Amphenol LTW.

REV.	ECN NO.	DATE	SIGN	DESCRIPTION
A	Initial Release	2013/09/22	Vicky	Old Item No. CAP-WBDMMSA2



SECTION A-A

- Note:
- * \varnothing Important Dimension
 - * Waterproof Rate: IP67
 - * Cap: Copper Alloy, Nickel Plated
 - * Gasket: EPDM, Black

A	UNIT: mm			TITLE Waterproof Cap M12*1.0P For Male Conn Screw Type			Amphenol LTW 安費諾亮泰企業股份有限公司		ITEM NO. CAP-WBDMMSA2	DRAWN BY Vicky	DATE 2013-09-12
	TOLERANCE .X ±0.25 .XX ±0.1 .XXX ±0.05 ANGLES ±1°	SCALE 2:1	SIZE A4	SHEET 1	OF 1	REV. A	WC-REV. A.1	CCC: Inspection item	DWG NO. CAP-WBDMMSA2	CHECKED BY Sam	DATE 2013-09-12
								CUSTOMER ALTW	APPROVED BY Rita	DATE 2013-09-12	