

End cap PDS-LNK-OTW

Ref. C24428C02TW, C24428C10TW, C24428L01TW, C24428C07TW

Ref. arch 24430, 24439, 24441, 24434



- Cable exit hole

APPLICATION

- aesthetic finish and protection of the interior of the lighting fixture

MOUNTING

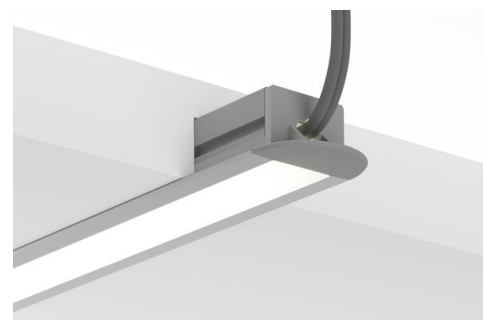
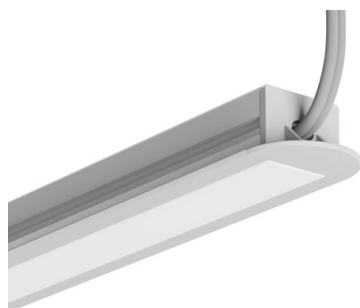
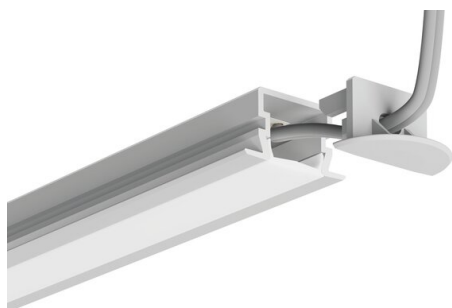
- to the profile, by pressing

TECHNICAL SPECIFICATIONS

Material	ABS
Shape	semicircular
Height	12 mm
Width	22 mm
Corrosion resistance	yes
Corrosion resistance at high salinity	yes
Hole	yes

Color	Ref
■ gray	C24428C02TW 24430
□ white	C24428C10TW 24439
■ silver	C24428L01TW 24441
■ black	C24428C07TW 24434

SAMPLE PROJECTS



End cap PDS-LNK-OTW

Ref. C24428C02TW, C24428C10TW, C24428L01TW, C24428C07TW

Ref. arch 24430, 24439, 24441, 24434

RELATED PROFILES > UNIVERSAL



PDS-NK

A01588

Ref. arch C1588