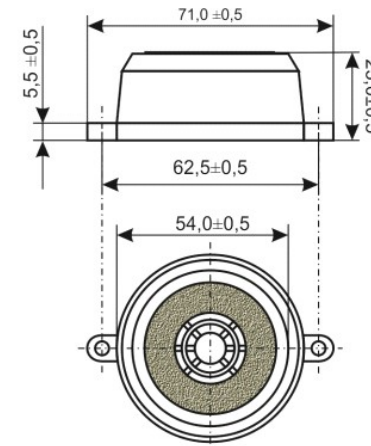




BUZZERS „BUZ”

Buzzers produced by our company are used in many branches of industry.
 High quality and a variety of proposed housings enables unlimited use wherever sound signal is necessary.

MODEL	BUZ-P	BUZ-A	BUZ-C
OPERATING VOLTAGE [V DC]	12-24	12-24	12/24
CURRENT OPERATING [mA]	90	90	90
SIGNAL TYPE	pulsing	alarm	continuous
SOUND LEVEL [dB]	100	100	100
CABLE LENGTH [mm]	120	120	120
HOUSING COLOR	black	red	white
HOUSING MATERIAL	ABS	ABS	ABS
WEIGHT [g]	40	40	40
DIAMETER $\pm 0,5$ [mm]	71	71	71
OTHER PROPERTIES	waterproof, filled with epoxy resin	waterproof, filled with epoxy resin	waterproof, filled with epoxy resin



Additional information:

- high sound level and small dimensions at the same time
- simple and easy to install
- small size and flexible cables allow installation even in difficult to reach places
- type of sound emitted by sirens is clearly associated with an alarm (warning) and cannot be ignored by a person directly in the danger zone
- highest quality and durability as buzzers are produced from the best commercially available components
- protected against moisture, dirt and vibration by appropriate use of epoxy resin

Original Polish product - you are guaranteed that you will not receive a cheap, low quality counterfeit.