



INTELLIGENT HEAT GUN SMD REWORK STATION INSTRUCTION MANUAL

English

Warning!!!

Use the machine, the following basic measures should abide, avoid electric shock and injury or damage caused by fires.

- In order to ensure personal safety, after the machine completed work, please turn off the main power switch, and unplug the power wire if long time no use.
- The replacement parts must use the parts approved or recommended by the original factory, otherwise it will lead to serious consequences.
- Do not place the sharp object besides or on the tube.
- Forbidden to use the machine when it is damaged, especially when the power wire or the handle tube is damaged.
- The machine failure must be maintained by the person in charge or by our designated repairer.
- This product uses grounded three-wire plug, must be inserted into the three holes grounded socket, do not change the plugs or use ungrounded adapter made it bad grounded.
- Before the hot air gun turned on, please ensure it is in safety environment, do not leave the operating platform.
- When hot air gun or soldering iron is opened, its temperature are likely to reach over 400°C. Do not use it near flammable and combustible gas or materials. Tube and the heat air emitted will be very hot, can burn the body, do not touch the hot nozzle or direct injection to heat the human body.
- When the hot air gun is opening, do not install nozzle, the heat pipe and the nozzle must be installed after cooling.
- Please keep the air outlet flow and no clog.
- After used, remember to cool the machine body, the handle should be released into the handle frame and must not be placed on the working platform or other places. Please wait for the machine to cool down to below 100°C and enter the sleep state, then can shut down the machine.
- The machine should be moved carefully and lightly, do not knock the handle or made the machine vibrate.
- Do not use when hand wet or machine wet, so as not to cause short circuit or electric shock.
- Children do not know the danger of electrical products, please do not use or store where children can touch.

I. Product Features

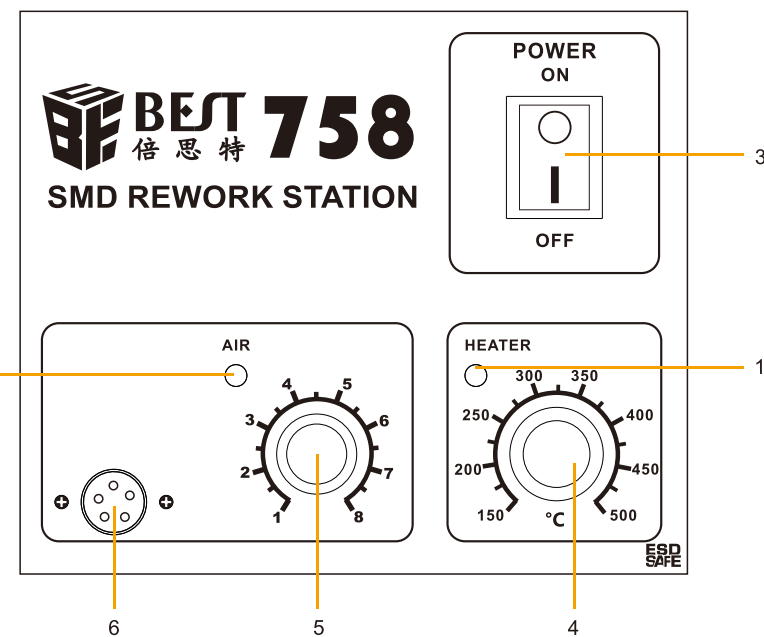
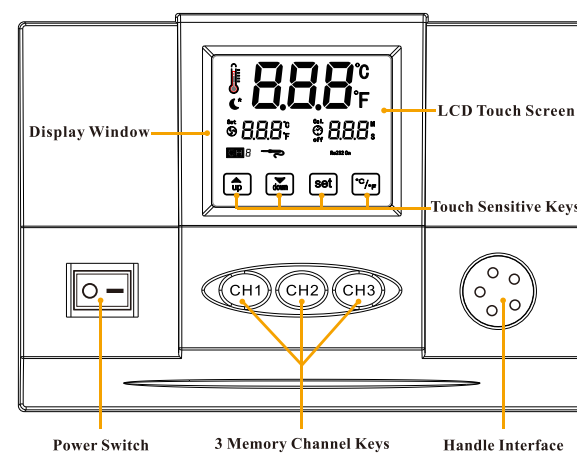
- This hot air rework station uses heating device to warm up air which can be used to weld.
- With 3 memory channels : CH1, CH2 and CH3, after setting the temperature, airflow and time, it can be easily switched according to your needs.
- Equipped with magnetic sensor, as long as holding the handle, the machine can quickly work. When handle put in frame, the machine will cool down to 100°C and enter standby mode.
- With auto sleep function, can set up while sleep status.
- Sensors closed loop, Zero-crossing triggering microcomputer temperature control, LCD touch screen. Warming up quickly, accurate and stable temperature control, make it real lead-free welding.
- Using frequency conversion blower, which has adjustable, large range air flow, can achieve a variety of purposes.
- Auto air cooling function makes the machine more durable and long-lasting.

II. Specification Parameter

Main

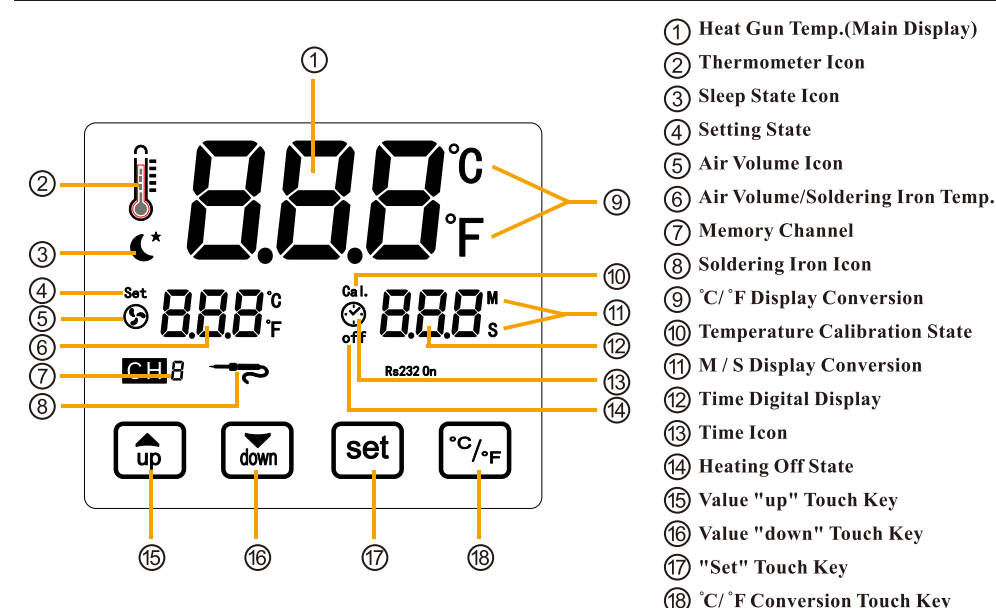
Model	BST-863	BST-758
Power	1200W	600W
Input Voltage	AC 220V/110V 50/60Hz	AC 220V/110V 50/60Hz
Temperature Range	100°C~550°C	150°C~500°C
	212°F~1022°F	302°F~932°F
Display type	LCD	Indicator
Temperature Accuracy	±1°C (Static)	±1°C (Static)
Air Volume Range	1~100 level	1~8 level
Noise	<45dB	<45dB
Mainframe Size	188(L)*240(D)*135(H)mm	158(L)*235(D)*133(H)mm
Weight		
Working Environment	0°C~40°C/32°F~104°F	
Storage Environment	-20°C~80°C/-4°F~176°F	
Storage Humidity	35%~45%	

III. Panel Schematic



- Gun heating indicator
- Gun air flow indicator
- Power switch
- Gun temperature adjust knob
- Air flow adjust knob
- Gun cable interface

IV. Screen Schematic



- Heat Gun Temp.(Main Display)
- Thermometer Icon
- Sleep State Icon
- Setting State
- Air Volume Icon
- Air Volume/Soldering Iron Temp.
- Memory Channel
- Soldering Iron Icon
- °C/°F Display Conversion
- Temperature Calibration State
- M/S Display Conversion
- Time Digital Display
- Time Icon
- Heating Off State
- Value "up" Touch Key
- Value "down" Touch Key
- "Set" Touch Key
- °C/°F Conversion Touch Key

V. General Usage

- Suitable for a various kind of soldering or desoldering (removals) purposes of the electronic components such as: SOIC, CHIP, QFP, PLCC, BGA, SMD, etc. (especially mobile phone's cable board.)
- Used for heat shrinking, drying, paint removal, adhesion and glue removal, thawing, preheating, disinfection, plastic welding, etc.
- Adjustable air volume, suitable for small volume or large volume heating situations.
- Suitable for unleaded hot air soldering situation.

VI. Digital Setting

Temperature Setting

- Touch the "set" key on the screen to make the desired temperature value flashing to enter the temperature setting state.
- Temperature up:** Touch the "up" touch key one time, the set temperature rises 1°C, the window temperature value shows the current set temperature. If you hold on the "up" touch key, will speed up the value beating, the set temperature rises rapidly, and the buzzer sounds simultaneously, released the touch key until the desired temperature is set.
- Temperature down:** Touch the "down" touch key one time, the set temperature drops 1°C, the window temperature value shows the current set temperature. If you hold on the "down" touch key, will speed up the value beating, the set temperature drops rapidly, and the buzzer sounds simultaneously, released the touch key until the desired temperature is set.
- Touch "°C/°F" key on the screen at any time for Celsius and Fahrenheit display conversion.

Air Volume Setting

- Touch the "set" key on the screen to make the air volume icon light and the air volume value flashing to enter the air volume setting state.
- Air volume increases:** Touch the "up" touch key one time, the set air volume rises 1 level, the window air volume value shows the current set air volume. If you hold on the "up" touch key, will speed up the value beating, the set air volume rises rapidly, and the buzzer sounds simultaneously, released the touch key until the desired level is set.
- Air volume decreases:** Touch the "down" touch key one time, the set air volume drops 1 level, the window air volume value shows the current set air volume. If you hold on the "down" touch key, will speed up the value beating, the set air volume drops rapidly, and the buzzer sounds simultaneously, released the touch key until the desired level is set.

Notes:

- In the case of the completion of your work, please use a lower temperature and large air volume, which helps to ensure the life of the heat gun's heating element and the safety of the IC chips welded.
- The machine has intelligent detection function, when the set temperature is too high, the air volume can not be lower than the specified value of 80.

VII. Operation Instruction

Heat Gun Operation

- Put the machine on the flat working platform, choose the required air nozzle and install it, and please use large enough diameter nozzle.
- After connecting the power wire and the handle, the handle must rest on the handle frame, otherwise the heat gun will not work.
- Open the power switch, all the characters on the screen will light 1~3s into the standby state, the screen's digital display part shows "--".
- There are two ways to trigger the heating state, one is the touch key trigger and the other is the magnetic switch trigger. After setting the required working temperature and air volume, remove the handle from the handle frame. The built-in magnetic switch in the handle will trigger the system to enter the heating state, and the heat gun will heat up normally. When heating up, the main display shows the dynamic temperature (heating state), until the temperature reaches the set temperature will lock the value, and the thermometer icon will be blinking when the temperature is constant.
- The distance between air outlet and object should be at least 2 mm.
- When work completed, must put the handle on handle frame. Let the machine auto cooling down to 100°C and display "--" (stop air), then it will enter standby state.
- Please turn off the power switch if long-term non-operation.

Timing Function

- This machine has a countdown shutdown function.
- If there is a set effective time, when the temperature reaches the set value, the system will enter the constant temperature countdown state. At the end of the countdown, the main control system will automatically cut off the heating current and cool down into the standby state, precise control of the heating time can be better application and energy saving.
- If you do not set the countdown, it can also forward timing, detect the used time at any time.

Sleep Function

- Into sleep state:** Put the handle back the handle frame correctly, the system will automatically cut off the heating current enter the gale cooling, the window shows "--". When the display temperature is reduced to 100°C, the system immediately goes to sleep state and the sleep state icon lights up.
- Wake sleep state:** If the handle is not properly placed on the handle frame, it can not wake up. When removing the handle from the handle frame, the magnetic switch triggers the system to immediately enter the working state.

Memory Function

- The three memory channel keys can memorize the personal setting parameters. After the parameter setting is completed, select the desired channel in CH1, CH2 and CH3, press and hold the corresponding channel key to save the currently modified temperature, air volume and time to The corresponding memory channel. Then you can switch the desired memory channel by one click.
- Boot will automatically remember the last working condition.
- Three memory channels have been factory-set the corresponding default parameters:

Memory Channel	CH1	CH2	CH3
Heat Gun Temp.	250°C	350°C	400°C
Air Volume	20	50	80
Default Time	60s	60s	60s

VIII. Alarm Description

- When alarm and display "F-1", it means the heat gun heating element failure, need to detect the heating element and related parts.
- When alarm and display "HHH", it means the heat gun has a serious fault and needs to detect the fan and related parts.

IX. Component Replacement

Replacement of Hot air gun nozzle

- Install:** Insert the chosen nozzle into the outlet pipe of the handle, and then manually press the nozzle into the steel pipe, after heard the Stuck sound and ensure the nozzle is Tight, then can start using.
- Remove:** Remove the heat gun handle from the handle frame. There is a slot between the nozzle and the air outlet pipe. Put the handle on the nozzle disassembly board (fixed at the bottom of the handle frame) through the slot, and fix the handle frame with one hand and gently pull the handle backward to remove the nozzle.

Notes:

- According to the work requirements, choose the appropriate nozzle, different nozzles' temperature may be slightly different.
- Please wait for the nozzle to cool down before replacement to avoid burns.

Replacement of Hot air gun heating element

- Unscrew the Anti-scalding jacket on the heat gun handle and remove it from the handle.
- Unscrew the three screws on the fixed steel pipe (built-in heating element) and pull out the pipe.
- Replace the new heating element (steel pipe and heating element is one-piece structure design).
- When replacing a new heating element, please carefully align the heater pin with the corresponding pin socket and align the sensor pin with the corresponding pin socket.
- Fit the handle back as the opposite process of disassembled.

Notes:

- Please wait for the heating element to fully cool down before replacement !
- Be careful not to damage the ground wire during the replacement !!
- Please replace the same type of heating element !!!