



LogiLink®

Monitor Desk Mount

For 17–32" Flat and Curved Monitors

Art. No.: BP0161



The Perfect Companion for Sit-stand Workstations

Constructed of high quality steel, the sleek and elegant appearance fits into any environment. Features a simple height adjustment for comfortable viewing angles, and integrated cable management to keep cords clean and organized. Great for giving you a whole new dimension to your workstation.



*The specifications and pictures are subject to change without prior notice.
*All trade names referenced are the registered trademarks of their respective owners.



Made in China

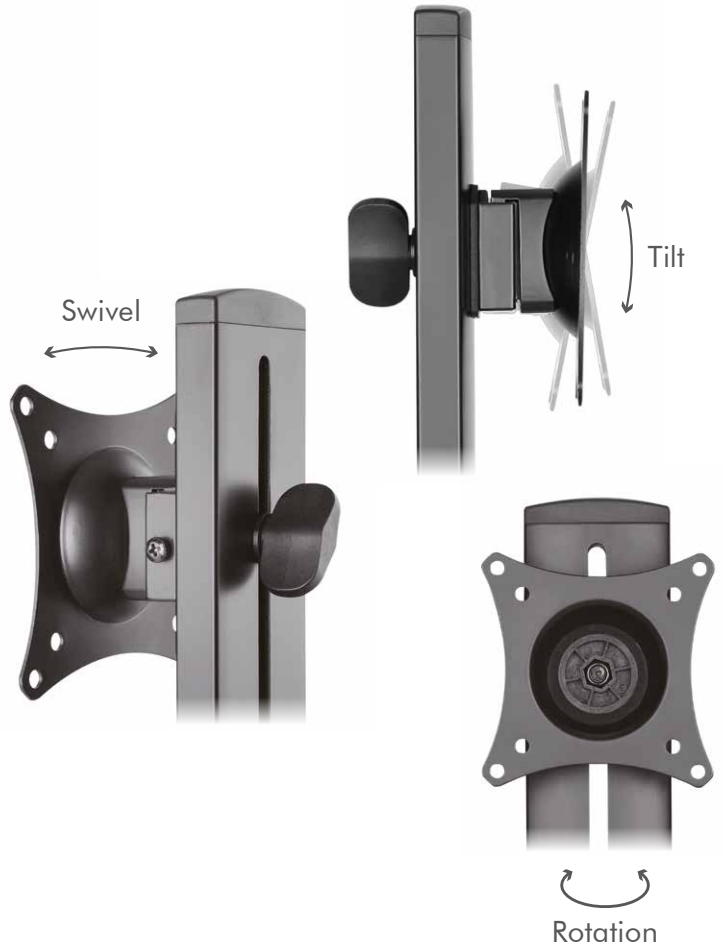


Clutter-free & Ergonomic Design

Frees up your desktop, easily take the strain off of your neck and create better posture to increase work productivity.

Smooth & Flexible Adjustments

Offers exceptional range of motion and height adjustments. Easily rotate, swivel & tilt for your desired viewing angle.



You can set your monitors at a comfortable eye level.



Sleek Modern Design

The simple, slim design of the mount makes for organized cable management, keeping your desk looking clean and tidy.

Easy Installation

Quick setup with detachable VESA plate and clamp or grommet installation to the desktop.



Specification:

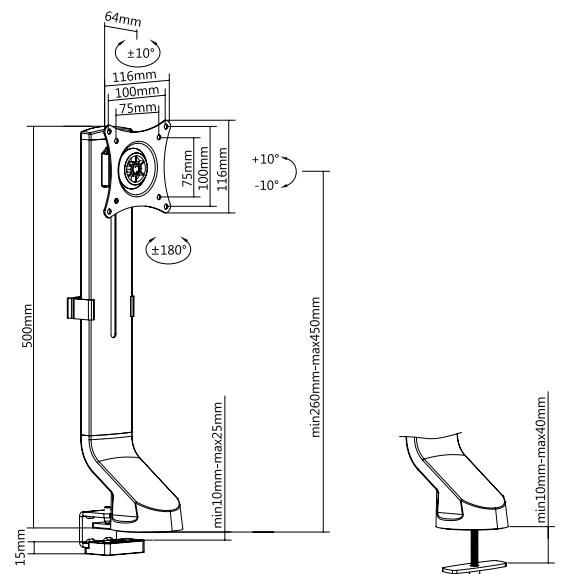
Fit Screen Size	17-32"
Fit Curved Monitor	Yes
Material	Steel, Plastic, Aluminum
Weight Capacity	8 kg
VESA	75 x 75, 100 x 100
Tilt Range	-10°/+10°
Swivel Range	-10°/+10°
Screen Rotation	-180°/+180°
Pole Height	50 cm
Dimensions	11.6 x 15 x 53 cm
Color	Black

Package Contents:

- » 1 x Monitor Desk Mount
- » 1 x Screw Package
- » 1 x User Manual

Package Information:

- » Packing Dimension: 405 x 133 x 90 mm
- » Packing Weight: 2.3 kg
- » Carton Dimension: 425 x 380 x 280 mm
- » Carton Q'ty: 8 pcs
- » Carton Weight: 19.1 kg



*The specifications and pictures are subject to change without prior notice.
*All trade names referenced are the registered trademarks of their respective owners.



BP0161



Made in China