

LogiLink®

Full Motion Monitor Desk Stand For 17"-32" Flat/Curved Monitor

Art. No.: BP0110
BP0111



A convenient and useful solution for retail stores that allows sales associates to interact with shoppers easily. Also, great for restaurants, offices, libraries and more.



RoHS
compliant

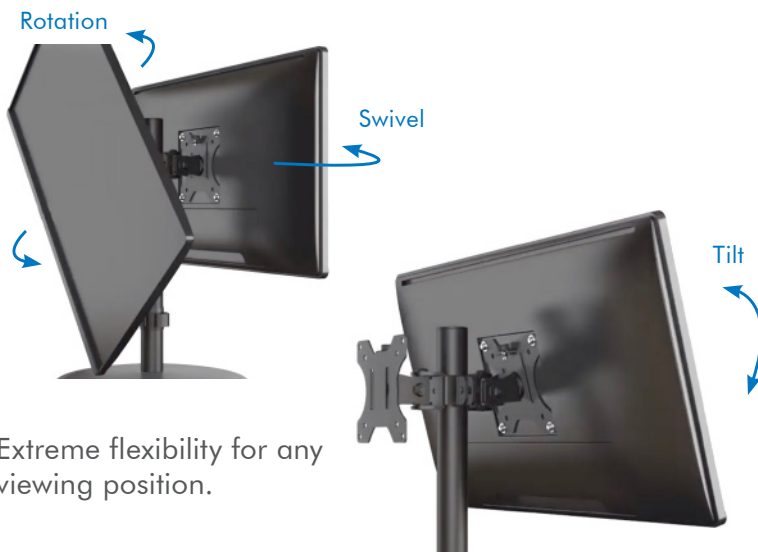
*The specifications and pictures are subject to change without prior notice.
*All trade names referenced are the registered trademarks of their respective owners.

LogiLink®

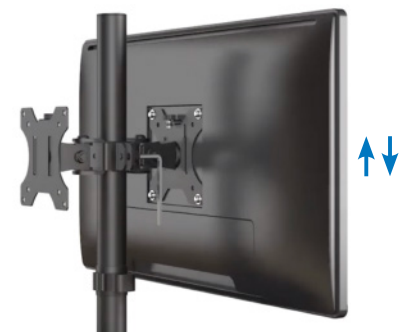
Full Motion Monitor Desk Mount

For 17"-32" Flat/Curved Monitor

Art. No.: BP0110
BP0111



Extreme flexibility for any viewing position.



Smooth height adjustment for helping create ideal viewing experiences.



Detachable VESA Plate for easy installation.



Cable management keeps everything organized.



*The specifications and pictures are subject to change without prior notice.
*All trade names referenced are the registered trademarks of their respective owners.

Best Connectivity

LogiLink®

Full Motion Monitor Desk Mount

For 17"-32" Flat/Curved Monitor

Art. No.: BP0110
BP0111



Specifications:



BP0110



BP0111

Screen Size	17"-32" flat/curved Monitors	17"-32" flat/curved Monitors
Monitor Quantity	1	2
Weight Capacity	8kg	8kg each
VESA Plate Compatible	75x75, 100x100	75x75, 100x100
Tilt	-15°~15°	-15°~15°
Swivel	-180°~180°	-15°~15°
Rotation	-180°~180°	-180°~180°
Pole Height	411mm	411mm
Arm Extension	36mm	52mm
Material	Steel, Plastic	Steel, Plastic
Color	Black	Black
Dimensions	300 x 300 x 446mm	300 x 300 x 446mm
EAN Code	4052792060171	4052792060188



*The specifications and pictures are subject to change without prior notice.
*All trade names referenced are the registered trademarks of their respective owners.

Best Connectivity

LogiLink®

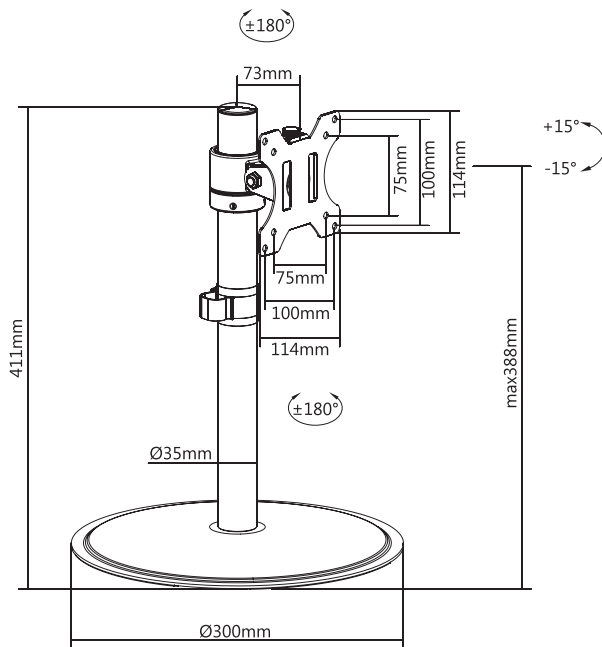
Full Motion Monitor Desk Mount

For 17"-32" Flat/Curved Monitor

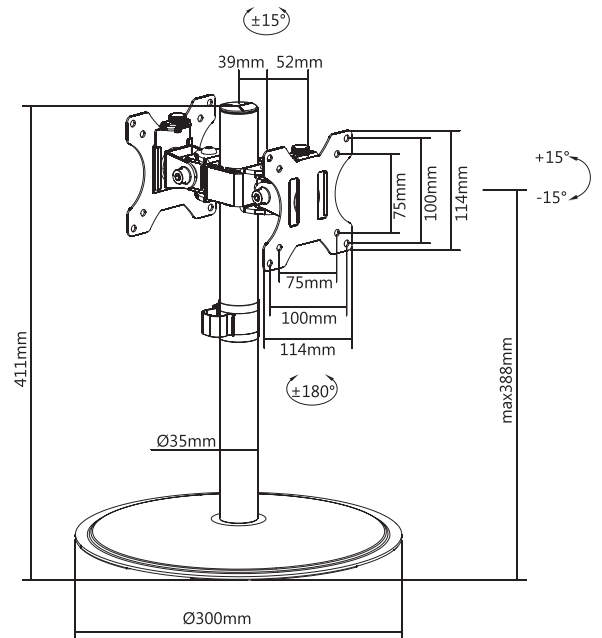
Art. No.: BP0110
BP0111



BP0110



BP0111



Package Contents:

- » 1 x Monitor Desk Mount
- » 1 x Screw Package
- » 1 x User Manual

Package Information:

- » Packing Dimension: mm
- » Packing Weight: kg
- » Carton Dimension: mm
- » Carton Q'ty: pcs
- » Carton Weight: kg



*The specifications and pictures are subject to change without prior notice.
*All trade names referenced are the registered trademarks of their respective owners.

Best Connectivity