



LogiLink®

Monitor Desk Mount
with Adjustable Arm
For 17"-32" Monitor

Art. No.: BP0097

The classic black monitor desk mount allows you to extend, tilt, rotate and swivel for the best viewing experience.



RoHS
compliant

*The specifications and pictures are subject to change without prior notice.
*All trade names referenced are the registered trademarks of their respective owners.



Made in China

LogiLink®

Monitor Desk Mount with Adjustable Arm

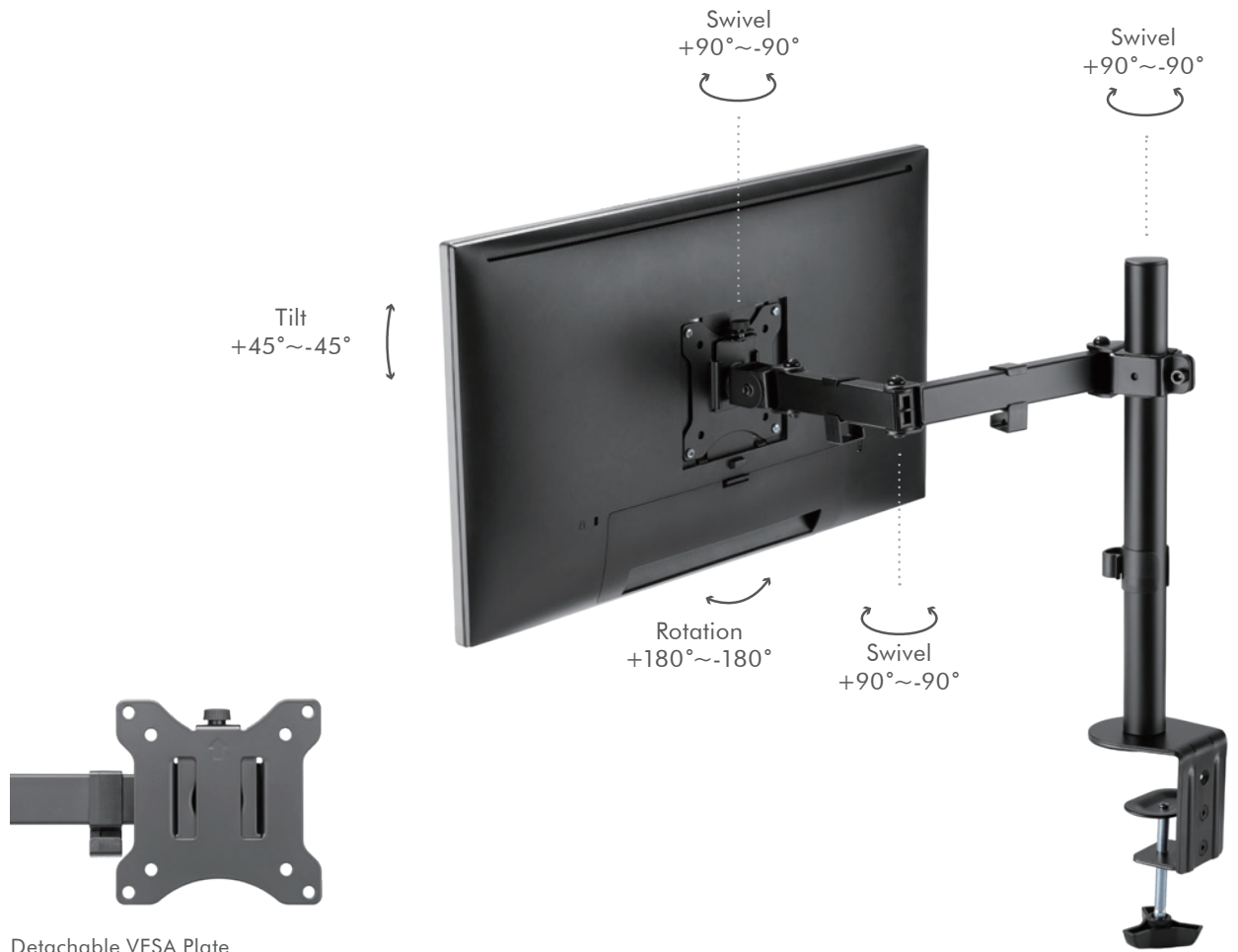
For 17"-32" Monitor

Art. No.: BP0097



Features:

- » Construction providing a sleek and elegant look, with maximum weight capacity of 8kg
- » Maximum arm extension length is 390mm, Tilt capacity: $-45^{\circ}\sim 45^{\circ}$, Swivel capacity: $-90^{\circ}\sim 90^{\circ}$ and Rotation capacity: $-180^{\circ}\sim 180^{\circ}$
- » Compatible with VESA 75x75mm, 100x100mm
- » Cable management keeps everything organized
- » Easy to install
- » Fit for 17"-32" Monitor



Detachable VESA Plate



*The specifications and pictures are subject to change without prior notice.
*All trade names referenced are the registered trademarks of their respective owners.



Made in China

Best Connectivity

LogiLink®

Monitor Desk Mount with Adjustable Arm

For 17"-32" Monitor

Art. No.: BP0097



Specification:

Screen Size	17"-32"
Rated Load	8kg
VESA	75x75, 100x100
Arm Extension	390mm
Tilt	-45°~45°
Swivel	-90°~90°
Rotation	-180°~180°
Clamp Thickness	10-85mm
Color	Black
Dimensions	114 x 517 x 498mm

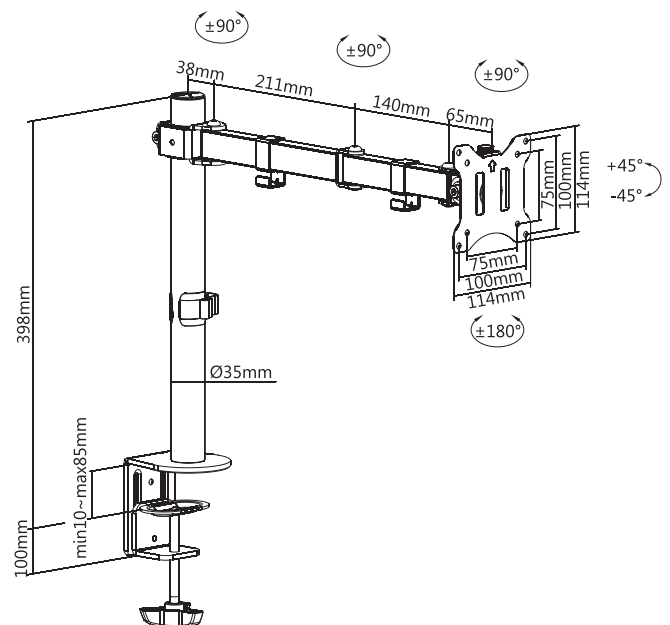


Package Contents:

- » 1 x Monitor Desk Mount
- » 1 x Screw Package
- » 1 x User Manual

Package Information:

- » Packing Dimension: 420 x 120 x 105mm
- » Packing Weight: 2.9kg
- » Carton Dimension: 420 x 120 x 105mm
- » Carton Q'ty: 1pcs
- » Carton Weight: 2.9kg



*The specifications and pictures are subject to change without prior notice.
*All trade names referenced are the registered trademarks of their respective owners.



Made in China

Best Connectivity