

AVR- H128 development board

Users Manual



All boards produced by Olimex are ROHS compliant

Rev.A, June 2009

Copyright(c) 2009, OLIMEX Ltd, All rights reserved

INTRODUCTION

AVR-H128 is an inexpensive way to develop and prototype circuits with ATMEGA128 microcontroller without need to deal with SMD soldering. All microcontroller pins are available on extension header with 0.1" and power supply, oscillators, ICSP, JTAG are wired, so all you need to do is to connect your additional components to the AVR ports, as the step is 0.1" these headers perfectly fit the prototype sea of pad boards with 0.1" step.

BOARD FEATURES

- ATmega128-16AU microcontroller with 128 KB Flash, 4KB RAM, 4 KB EEPROM
- ICSP 5x2 pin connector for in-circuit programming with AVR-PG1 or AVR-PG2
- JTAG 5x2 pin connector for in-circuit debugging with AVR-JTAG or AVR-JTAG-USB
- 16MHz scillator circuit
- 32768 Hz oscillator circuit
- Reset IC ZM33064
- +5V voltage regulator LM78L05
- power supply filtering capacitors
- extension pin headers for each uC pin
- FR-4, 1.5 mm (0,062"), green soldermask, white silkscreen component print
- dimensions 47x47 mm (1.85x1.85")

ELECTROSTATIC WARNING

The AVR-H128 board is shipped in protective anti-static packaging. The board must not be subject to high electrostatic potentials. General practice for working with static sensitive devices should be applied when working with this board.

BOARD USE REQUIREMENTS

Cables: The cable you will need depends on the programmer/debugger you use. If you use AVR-JTAG or AVR-PG1 you will need RS232, if you use AVR-USB-JTAG or AVR-ISP500/TINY/ISO you will need 1.8 m A-B USB cable, if you use AVR-PG2, you will need LPT cable.

Hardware: One of OLIMEX Programmers/Debuggers - [AVR-JTAG](#), [AVR-USB-JTAG](#), [AVR-ISP500](#), [AVR-ISP500-TINY](#), [AVR-ISP500-ISO](#), [AVR-PG1](#), [AVR-PG2](#).

Software: AVR C compiler.

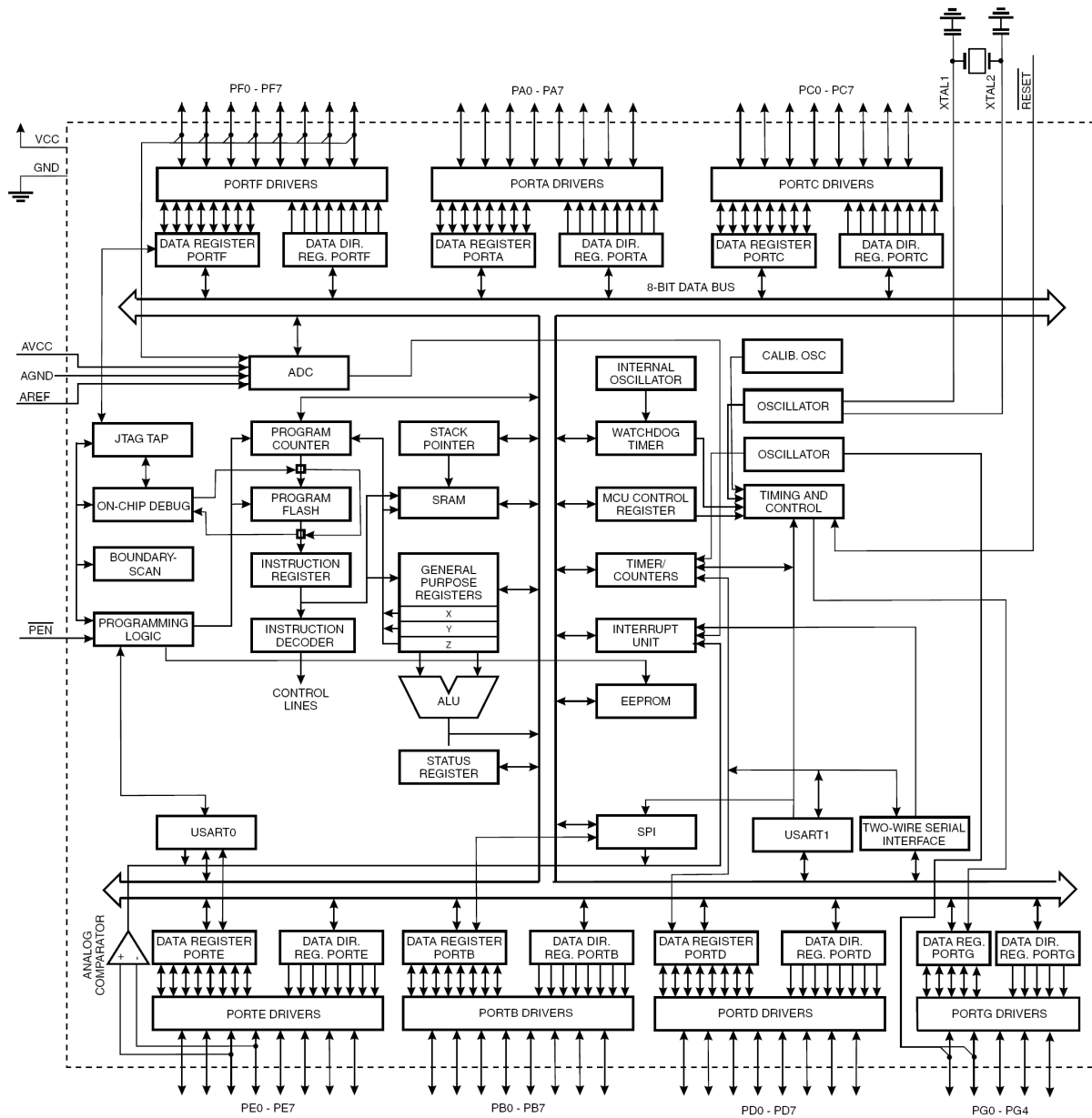
PROCESSOR FEATURES

AVR-H128 board use High-performance, Low-power AVR® 8-bit Microcontroller – Atmega128 from Atmel Corporation with these features:

- Advanced RISC Architecture
 - 133 Powerful Instructions – Most Single Clock Cycle Execution
 - 32 x 8 General Purpose Working Registers + Peripheral Control Registers
 - Fully Static Operation
 - Up to 16 MIPS Throughput at 16 MHz
 - On-chip 2-cycle Multiplier
- High Endurance Non-volatile Memory segments
 - 128K Bytes of In-System Self-programmable Flash program memory
 - 4K Bytes EEPROM
 - 4K Bytes Internal SRAM
 - Write/Erase cycles: 10,000 Flash/100,000 EEPROM
 - Data retention: 20 years at 85°C/100 years at 25°C
 - Optional Boot Code Section with Independent Lock Bits In-System Programming by On-chip Boot Program True Read-While-Write Operation
 - Up to 64K Bytes Optional External Memory Space
 - Programming Lock for Software Security
 - SPI Interface for In-System Programming
- JTAG (IEEE std. 1149.1 Compliant) Interface
 - Boundary-scan Capabilities According to the JTAG Standard
 - Extensive On-chip Debug Support
 - Programming of Flash, EEPROM, Fuses and Lock Bits through the JTAG Interface
- Peripheral Features
 - Two 8-bit Timer/Counters with Separate Prescalers and Compare Modes
 - Two Expanded 16-bit Timer/Counters with Separate Prescaler, Compare Mode and Capture Mode
 - Real Time Counter with Separate Oscillator
 - Two 8-bit PWM Channels
 - 6 PWM Channels with Programmable Resolution from 2 to 16 Bits
 - Output Compare Modulator
 - 8-channel, 10-bit ADC
 - 7 Differential Channels
 - 8 Single-ended Channels

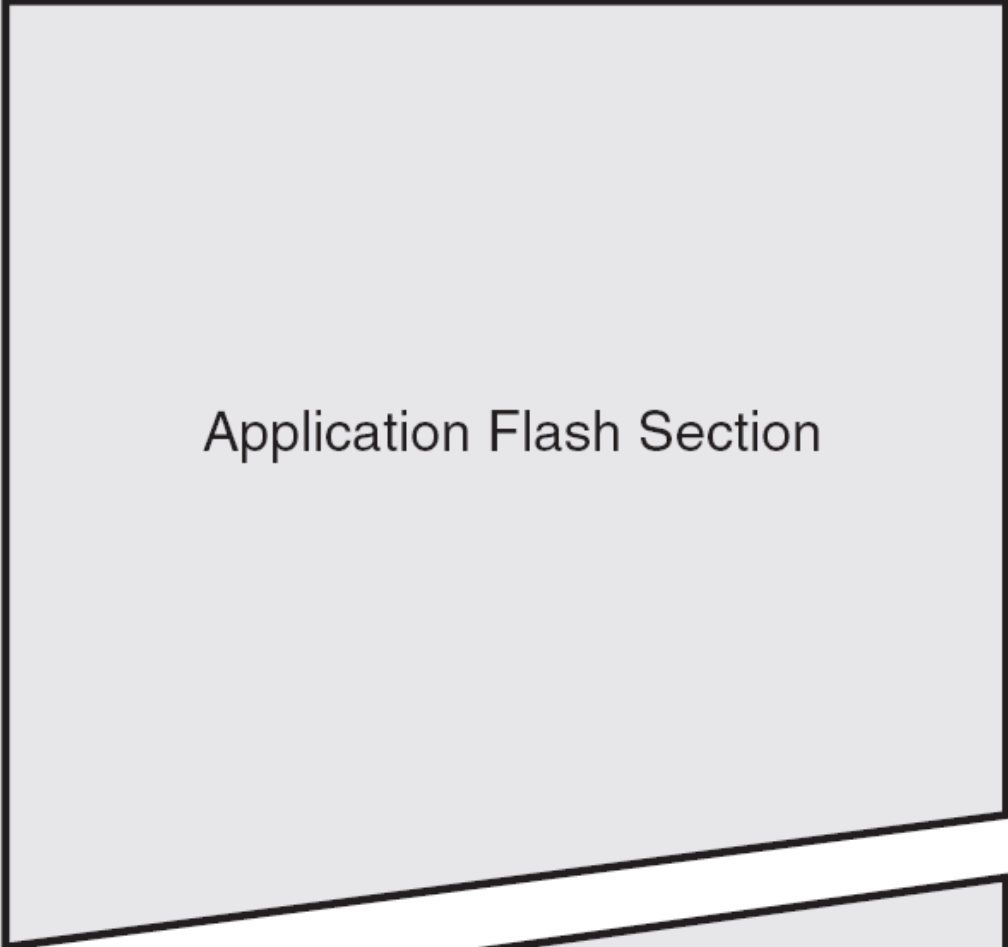
- 2 Differential Channels with Programmable Gain at 1x, 10x, or 200x
 - Byte-oriented Two-wire Serial Interface
 - Dual Programmable Serial USARTs
 - Master/Slave SPI Serial Interface
 - Programmable Watchdog Timer with On-chip Oscillator
 - On-chip Analog Comparator
- Special Microcontroller Features
 - Power-on Reset and Programmable Brown-out Detection
 - Internal Calibrated RC Oscillator
 - External and Internal Interrupt Sources
 - Six Sleep Modes: Idle, ADC Noise Reduction, Power-save, Power-down, Standby, and Extended Standby
 - Software Selectable Clock Frequency
 - ATmega103 Compatibility Mode Selected by a Fuse
 - Global Pull-up Disable
- Operating Voltages
 - 4.5 - 5.5V
- Speed Grades
 - 0 - 16 MHz

BLOCK DIAGRAM



MEMORY MAP:

Program Memory



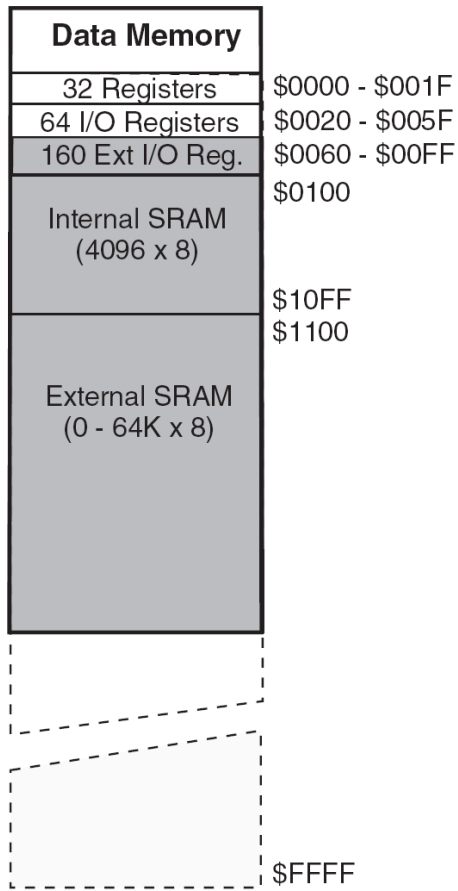
\$0000



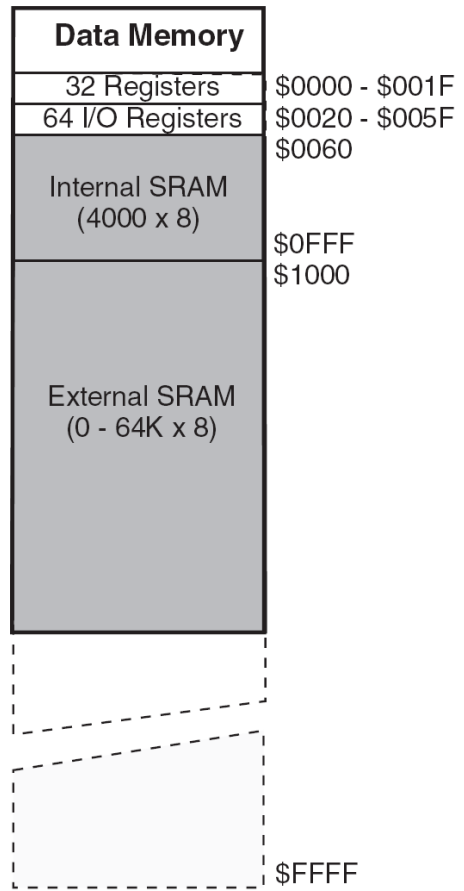
\$FFFF

Data Memory Map

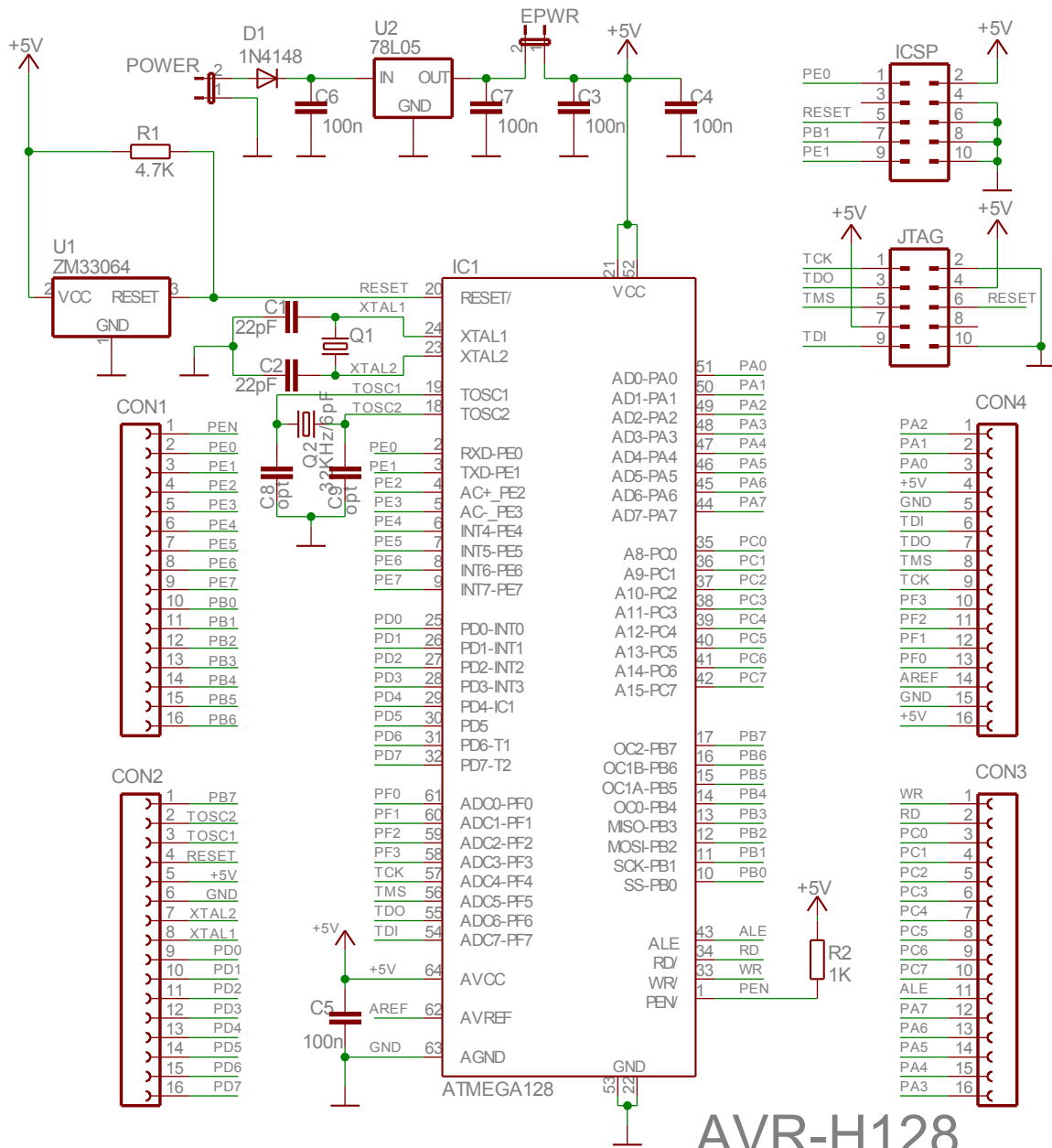
Memory Configuration A



Memory Configuration B



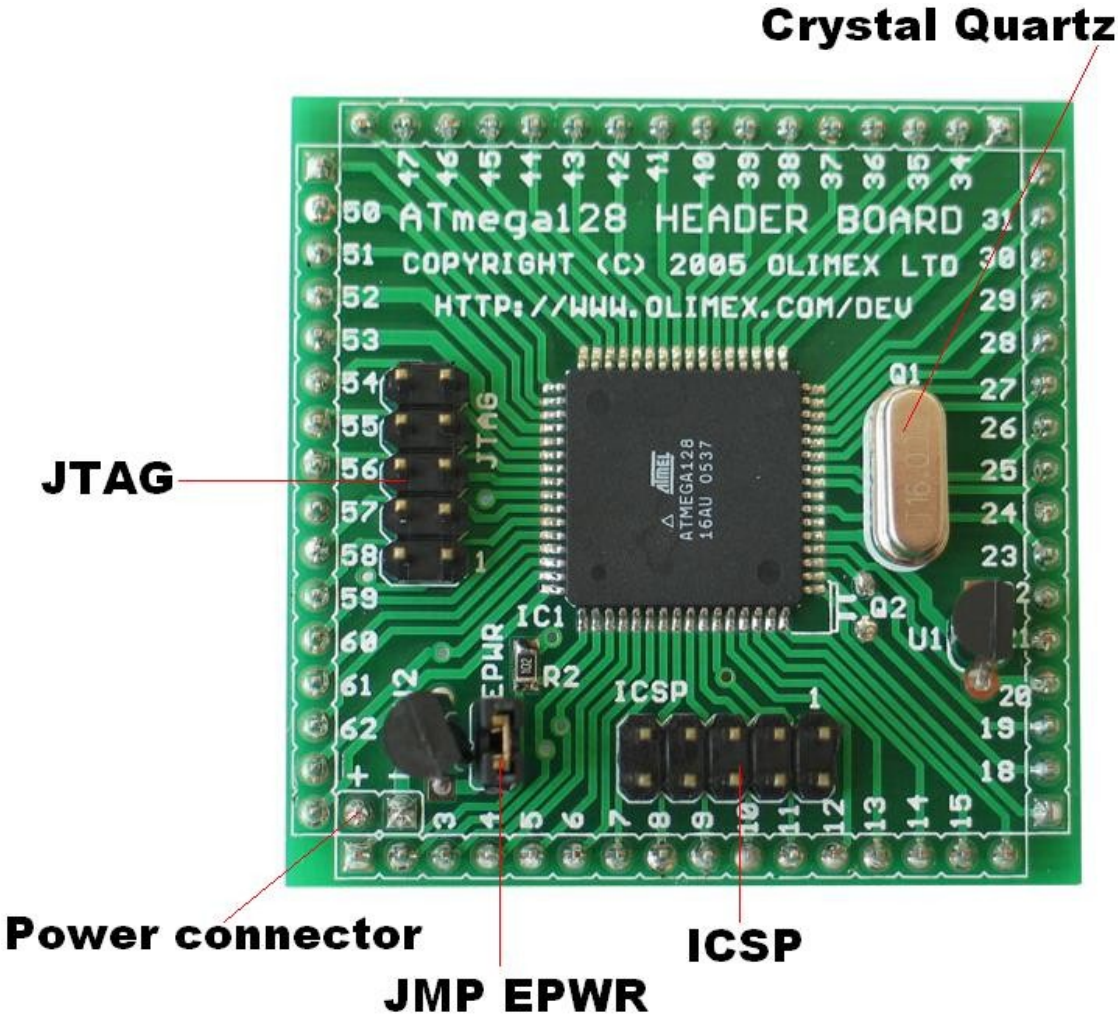
SCHEMATIC

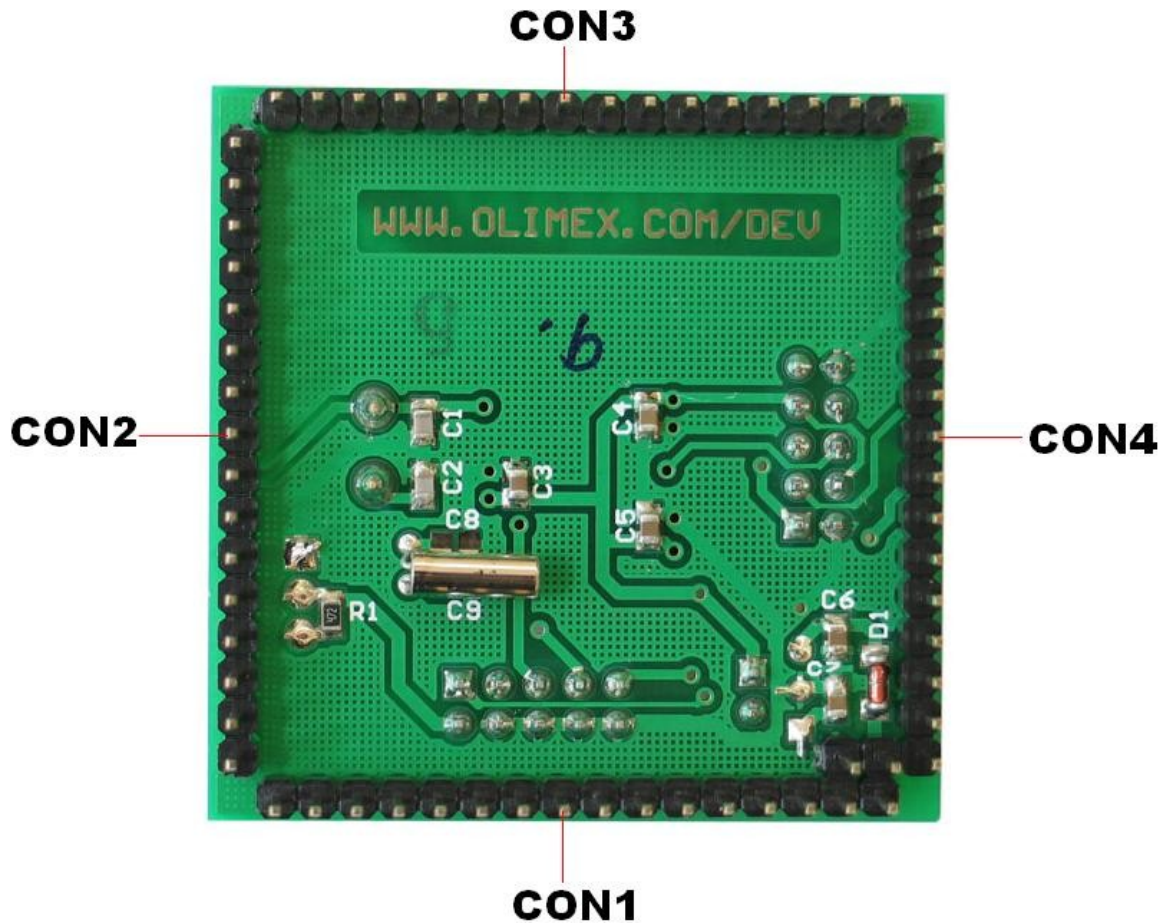


AVR-H128

Rev. A
 COPYRIGHT(C), 2005
<http://www.olimex.com/dev>

BOARD LAYOUT





POWER SUPPLY CIRCUIT

The board is power supplied from POWER connector pin 1 and pin 2 with 9-12 V DC.

RESET CIRCUIT

AVR-H128 reset circuit includes pin 6 of JTAG connector, pin 5 of ICSP connector, Extension connector CON2 - pin 4 and ATmega128 pin 20.

CLOCK CIRCUIT

Quartz crystal 8MHz is connected to ATmega128 pin 23 (XTAL2) and pin 24 (XTAL1).

Quartz crystal 32kHz is connected to Atmega128 pin 18 (TOSC2) and pin 19 (TOSC1).

JUMPER DESCRIPTION

EPWR

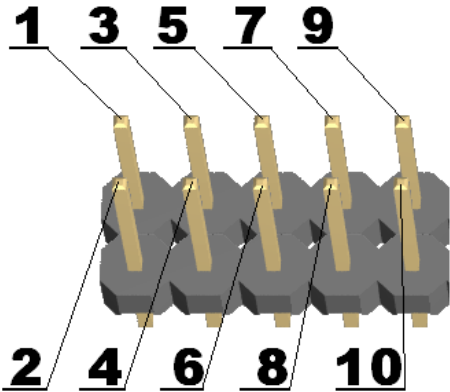


Enable target power supply.

CONNECTOR DESCRIPTIONS

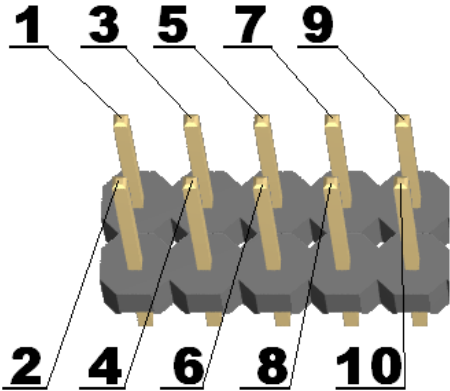
JTAG

Pin #	Signal Name
1	TCK
2	GND
3	TDO
4	+5V
5	TMS
6	RESET
7	+5V
8	NC
9	TDI
10	GND

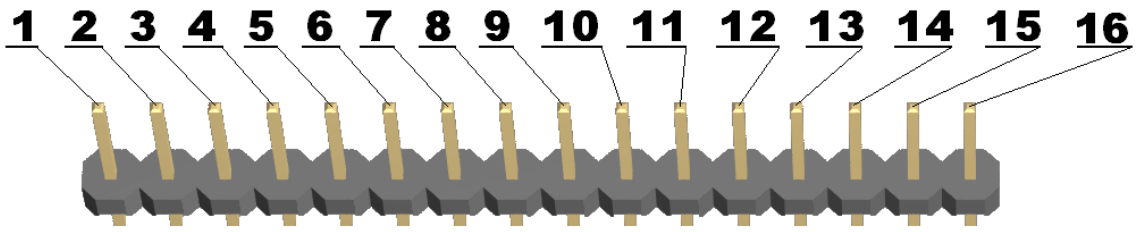


ICSP

Pin #	Signal Name
1	PE0
2	+5V
3	NC
4	GND
5	RESET
6	GND
7	PB1
8	GND
9	PE1
10	GND

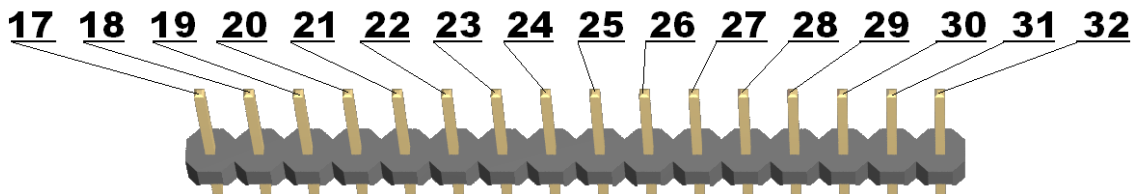


CON1



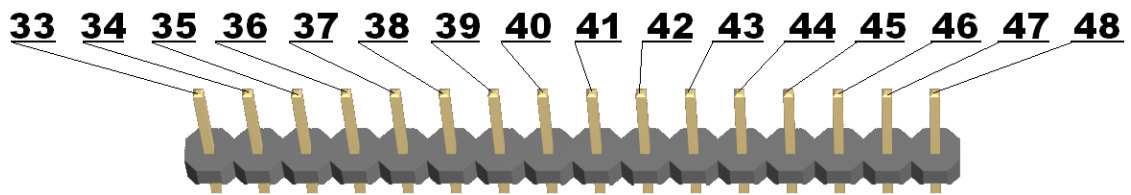
Pin #	Signal Name	Pin #	Signal Name
1	PEN	2	PE0
3	PE1	4	PE2
5	PE3	6	PE4
7	PE5	8	PE6
9	PE7	10	PB0
11	PB1	12	PB2
13	PB3	14	PB4
15	PB5	16	PB6

CON2



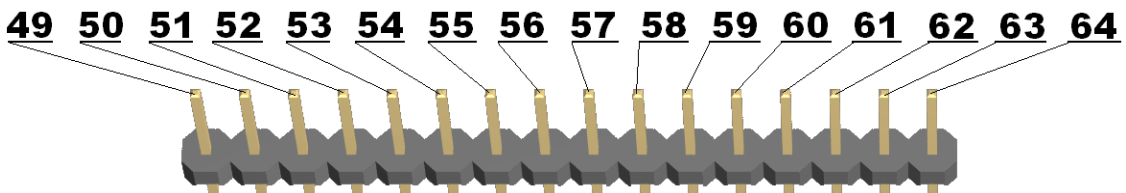
Pin #	Signal Name	Pin #	Signal Name
17	PB7	18	TOSC2
19	TOSC1	20	RESET
21	+5V	22	GND
23	XTAL2	24	XTAL1
25	PD0	26	PD1
27	PD2	28	PD3
29	PD4	30	PD5
31	PD6	32	PD7

CON3



Pin #	Signal Name	Pin #	Signal Name
33	WR	34	RD
35	PC0	36	PC1
37	PC2	38	PC3
39	PC4	40	PC5
41	PC6	42	PC7
43	ALE	44	PA7
45	PA6	46	PA5
47	PA4	48	PA3

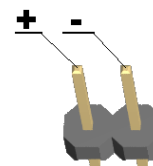
CON4



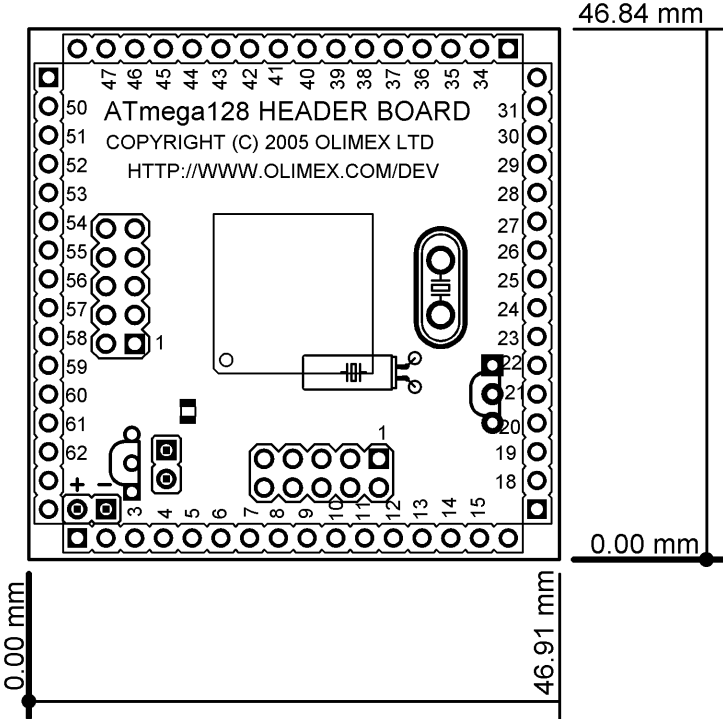
Pin #	Signal Name	Pin #	Signal Name
49	PA2	50	PA1
51	PA0	52	+5V
53	GND	54	TDI
55	TDO	56	TMS
57	TCK	58	PF3
59	PF2	60	PF1
61	PF0	62	AREF
63	GND	64	+5V

POWER CONNECTOR

Pin #	Signal Name
1 (+)	VCC
2 (-)	GND



MECHANICAL DIMENSIONS



AVAILABLE DEMO SOFTWARE

- Blinking LED (C source and HEX)
- UART initialization (C source and HEX)

ORDER CODE

AVR-H128 - assembled and tested

How to order?

You can order to us directly or by any of our distributors.

Check our web www.olimex.com/dev for more info.

Revision history:

REV.A - create June 2009

Disclaimer:

© 2009 Olimex Ltd. All rights reserved. Olimex®, logo and combinations thereof, are registered trademarks of Olimex Ltd. Other terms and product names may be trademarks of others.

The information in this document is provided in connection with Olimex products. No license, express or implied or otherwise, to any intellectual property right is granted by this document or in connection with the sale of Olimex products.

Neither the whole nor any part of the information contained in or the product described in this document may be adapted or reproduced in any material from except with the prior written permission of the copyright holder.

The product described in this document is subject to continuous development and improvements. All particulars of the product and its use contained in this document are given by OLIMEX in good faith. However all warranties implied or expressed including but not limited to implied warranties of merchantability or fitness for purpose are excluded.

This document is intended only to assist the reader in the use of the product. OLIMEX Ltd. shall not be liable for any loss or damage arising from the use of any information in this document or any error or omission in such information or any incorrect use of the product.