

ATS Type: (Voltage Converters)

230V/115V step-down transformers that can provide power to equipment and appliances of American or Japanese origin. These chargers come in choice of metal or plastic casings (including chargers that can be plugged in directly to an electrical outlet). All chargers are equipped with 110 V receptacles to eliminate the need for modification.

115V /230V step-up transformers for powering of European gadgets used in countries with 110V electric power.

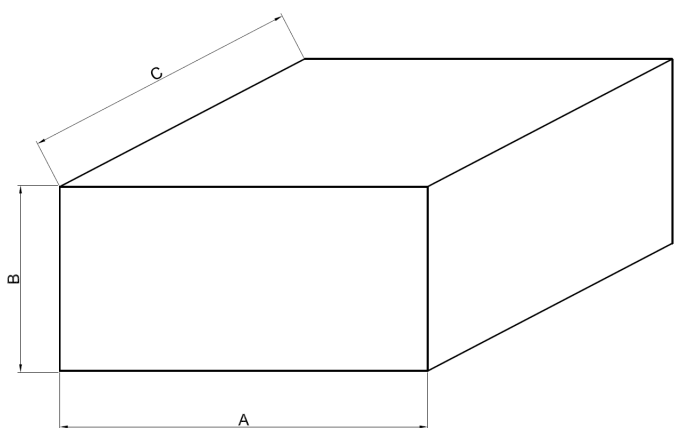
The power capacity ranges from 20VA to 5000VA with single or double voltage output.

Customized solutions made to our clients' individual specifications are also possible. Upon request, high power suppliers can be equipped with soft start system.

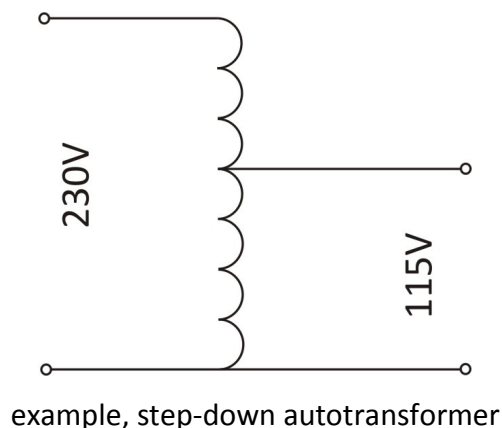
Technical specification:

Nominal Power: 20 - 5000VA
 Input voltage: 230V [or 115V]
 Frequency: 50 – 60Hz
 Output voltage: 115V [or 230V]

Ambient temperature: 40°C
 Protection degree: up to IP-65



Wiring diagram:



Standard 115V or 230V input voltage models – single or double output

Type	Nominal Power [VA]	OUTPUT voltage [VAC]	Dimensions		
			A [mm]	C [mm]	B [mm]
ATS50VA *P	50	115V or 230V	90	110	40
ATS100VA P	100	115V or 230V	90	110	40
ATS200VA P	200	115V or 230V	150	130	55
ATS300VA P	300	115V or 230V	150	130	55
ATS400VA P	400	115V or 230V	150	130	55
ATS500VA P	500	115V or 230V	150	130	55
ATS600VA P	600	115V or 230V	165	180	60
ATS50VA **M	50	115V or 230V	95	145	45
ATS100VA M	100	115V or 230V	95	145	45
ATS200VA M	200	115V or 230V	95	145	45
ATS300VA M	300	115V or 230V	130	180	50
ATS400VA M	400	115V or 230V	130	180	50
ATS500VA M	500	115V or 230V	130	180	50
ATS600VA M	600	115V or 230V	130	180	50
ATS800VA M	800	115V or 230V	130	180	50
ATS1000VA M	1000	115V or 230V	130	180	50
ATS1500VA M	1500	115V or 230V	165	190	80
ATS2000VA M	2000	115V or 230V	165	190	80
ATS2500VA M	2500	115V or 230V	220	220	90
ATS3000VA M	3000	115V or 230V	220	220	90
ATS4000VA M	4000	115V or 230V	220	220	90

***P** – plastic case

****M** – metal case

Get more informations about custom made non standard encapsulated transformers : info@toroidy.pl