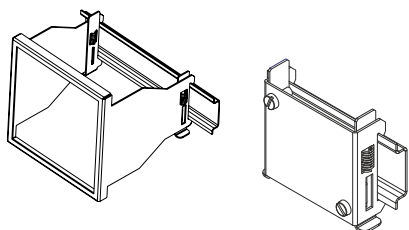


ADAPTER ATS FOR DIN RAIL TS35



- Designed for mounting of panel instruments on the DIN rail TS35 or transducers of P18X series for DIN rail TS35.
- Easy and quick assembly and disassembly of adapter.
- Construction is made of galvanized steel.
- Available for the products in the dimensions of:
96 x 96 mm,
96 x 48 mm,
72 x 72 mm,
48 x 96 mm,
48 x 48 mm.

ADAPTER ATS						
	ATS1	ATS2	ATS3	ATS4	ATS5	ATS6
Adapter dimensions [mm]	92 ^{+0.8} x 92 ^{+0.8}	92 ^{+0.8} x 45 ^{+0.6}	68 ^{+0.7} x 68 ^{+0.7}	45 ^{+0.6} x 92 ^{+0.8}	45 ^{+0.6} x 45 ^{+0.6}	dedicated for transducers P18, P18D, P18L
Panel instruments dimensions [mm]	96 x 96	96 x 48	72 x 72	48 x 96	48 x 48	

ADAPTER SET

The set is composed of:

- adapter ATS1 pc
- user’s manual.....1 pc

VIEW AND DIMENSIONS OF THE ADAPTER

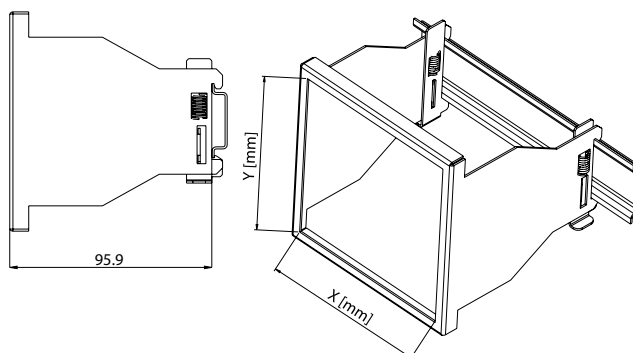


Fig 1. View of the ATS mount on the DIN rail TS35.

FIXING

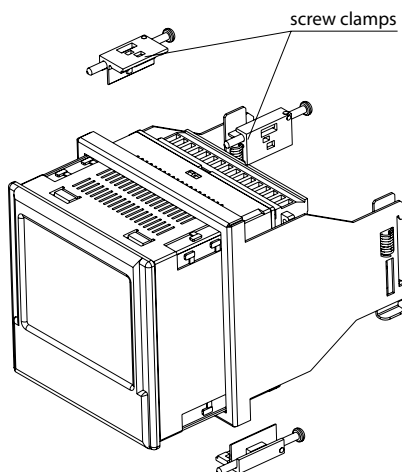


Fig 2. Fixing the panel meter into the adapter.

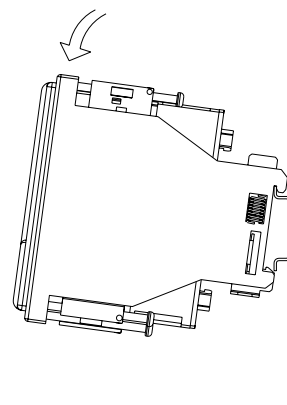


Fig.3. Fixing the sest on the DIN rail TS35

Export department:
English: +48 68 32 95
302 / 321 / 276 / 386 / 233
Russian: +48 68 32 95 321
Fax: +48 68 32 54 091
e-mail: export@lumel.com.pl

LUMEL S.A.
ul. Sulechowska 1
65-022 Zielona Góra
POLAND

WWW.LUMEL.COM.PL

DISASSEMBLY

ATS adapter holder design allows for easy disassembly of the set. In order to do this, simultaneously press the two protruding parts (at the top or bottom of the holder) and by pivoting the set remove it from the rail (Figure 4).

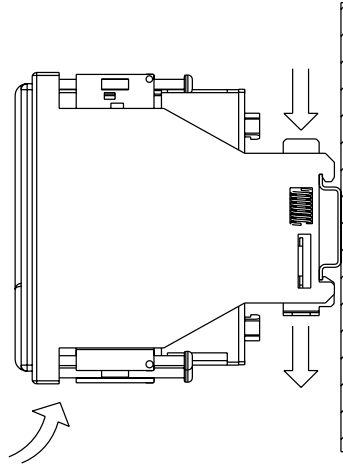


Fig.4 Disassembly of the set.

VIEW AND DIMENSIONS OF THE ADAPTER DEDICATED FOR P18 TRANSDUCERS

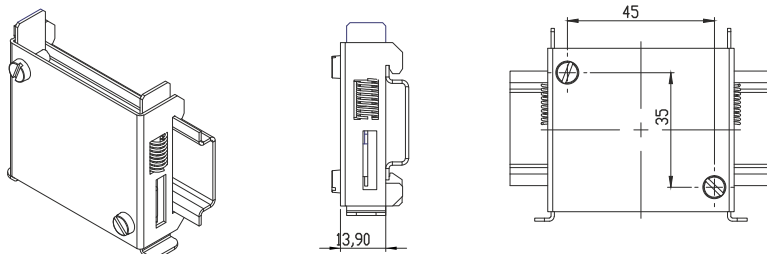


Fig.5 View and dimensions of the adapter dedicated for P18 transducers

FIXING OF ADAPTER DEDICATED FOR P18 TRANSDUCERS

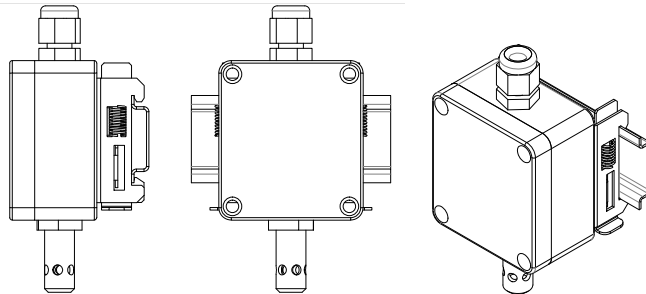


Fig.6 Fixing of adapter for transducers P18.

ORDERING

Adapter TS35	ATS	X	XX
Mounting hole acc. DIN IEC 61554 X[mm] x Y [mm]:			
92 ^{+0.8} x 92 ^{+0.8}		1	
92 ^{+0.8} x 45 ^{+0.6}		2	
68 ^{+0.7} x 68 ^{+0.7}		3	
45 ^{+0.6} x 92 ^{+0.8}		4	
45 ^{+0.6} x 45 ^{+0.6}		5	
for transducers P18, P18D, P18L		6	
Version:			
standard			00
custom-made*			XX

* - the code will be established by the manufacturer

Order example:

The code: **ATS 400** means:

- ATS** - adapter dor DIN rail TS35
- 4** - mounting hole 45 mm x 92 mm
- 00** - standard version.

For more information about LUMEL's products please visit our website:
www.lumel.com.pl

Export department:

English: +48 68 32 95 302 / 321 / 276 / 386 / 233
Russian: +48 68 32 95 321
Fax: +48 68 32 54 091
e-mail: export@lumel.com.pl

LUMEL S.A.
ul. Sulechowska 1
65-022 Zielona Góra
POLAND

WWW.LUMEL.COM.PL