

ACPL-T350

2.5 Amp Output Current IGBT Gate Driver Optocoupler with Low I_{CC}



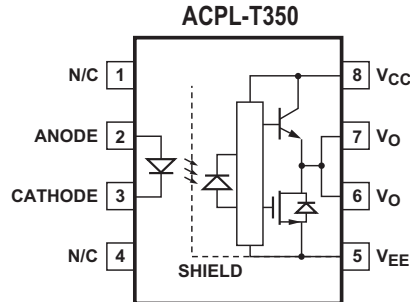
Data Sheet



Description

The ACPL-T350 contains a GaAsP LED. The LED is optically coupled to an integrated circuit with a power output stage. These optocouplers are ideally suited for driving power IGBTs and MOSFETs used in motor control inverter applications. The high operating voltage range of the output stage provides the drive voltages required by gate controlled devices. The voltage and current supplied by these optocouplers make them ideally suited for directly driving IGBTs with ratings up to 1200 V/100 A. For IGBTs with higher ratings, the ACPL-T350 series can be used to drive a discrete power stage which drives the IGBT gate. The ACPL-T350 has an insulation voltage of $V_{IORM} = 630 V_{peak}$ (Option 060).

Functional Diagram



Note: A 0.1 μF bypass capacitor must be connected between pins V_{CC} and V_{EE} .

UVLO Truth Table

| LED | $V_{CC} - V_{EE}$ "POSITIVE GOING" (i.e., TURN-ON) | $V_{CC} - V_{EE}$ "NEGATIVE GOING" (i.e., TURN-OFF) | V_O |
|-----|--|---|------------|
| OFF | 0 - 30 V | 0 - 30 V | LOW |
| ON | 0 - 11 V | 0 - 9.5 V | LOW |
| ON | 11 - 13.5 V | 9.5 - 12 V | TRANSITION |
| ON | 13.5 - 30 V | 12 - 30 V | HIGH |

Features

- 2.5A Absolute Maximum Peak Output Current
- 15 kV/ μs minimum Common Mode Rejection (CMR) at $V_{CM} = 1500 V$
- 1.5 V maximum low level output voltage (V_{OL})
- $I_{CC} = 4 mA$ maximum supply current
- Under Voltage Lock-Out protection (UVLO) with hysteresis
- Wide operating V_{CC} range: 15 to 30 Volts
- 500 ns maximum switching speeds
- Industrial temperature range: $-40^{\circ}C$ to $100^{\circ}C$
- Safety Approval
 - UL Recognized 3750 Vrms for 1 min.
 - CSA Approval
 - IEC/EN/DIN EN 60747-5-5 Approved
- $V_{IORM} = 630 V_{peak}$ (Option 060)

Applications

- IGBT/MOSFET gate drive
- Inverter for Home Appliances
- Industrial Inverters
- Switching Power Supplies (SPS)

CAUTION: It is advised that normal static precautions be taken in handling and assembly of this component to prevent damage and/or degradation which may be induced by ESD.

Ordering Information

ACPL-T350 is UL Recognized with 3750 Vrms for 1 minute per UL1577.

| Part number | Option | Package | Surface Mount | Gull Wing | Tape& Reel | IEC/EN/DIN EN 60747-5-5 | Quantity |
|-------------|-------------------|--------------|---------------|-----------|------------|----------------------------|---------------|
| | RoHS Compliant | | | | | | |
| ACPL-T350 | -000E | 300mil DIP-8 | | | | | 50 per tube |
| | -300E | | X | X | | | 50 per tube |
| | -500E | | X | X | X | | 1000 per reel |
| | -060E | | | | | X | 50 per tube |
| | -360E | | X | X | | X | 50 per tube |
| | -560E | | X | X | X | X | 1000 per reel |

To order, choose a part number from the part number column and combine with the desired option from the option column to form an order entry.

Example 1:

ACPL-T350-560E to order product of 300mil DIP Gull Wing Surface Mount package in Tape and Reel packaging with IEC/EN/DIN EN 60747-5-5 Safety Approval in RoHS compliant.

Example 2:

ACPL-T350-000E to order product of 300mil DIP package in tube packaging and RoHS compliant.

Option datasheets are available. Contact your Avago sales representative or authorized distributor for information.

Remarks: The notation '#XXX' is used for existing products, while (new) products launched since 15th July 2001 and RoHS compliant option will use '-XXXE'.

Regulatory Information

The ACPL-T350 is approved by the following organizations:

IEC/EN/DIN EN 60747-5-5 (ACPL-T350 Option 060 only)

Approval under:

DIN EN 60747-5-5 (VDE 0884-5):2011-11

EN 60747-5-5:2011

UL

Approval under UL 1577, component recognition program, File E55361.

CSA

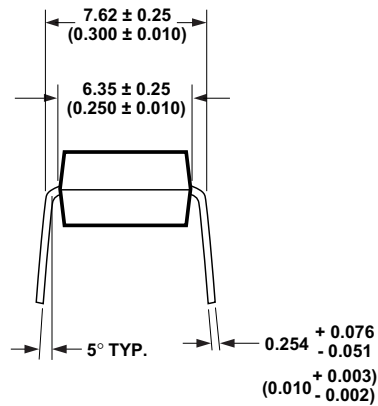
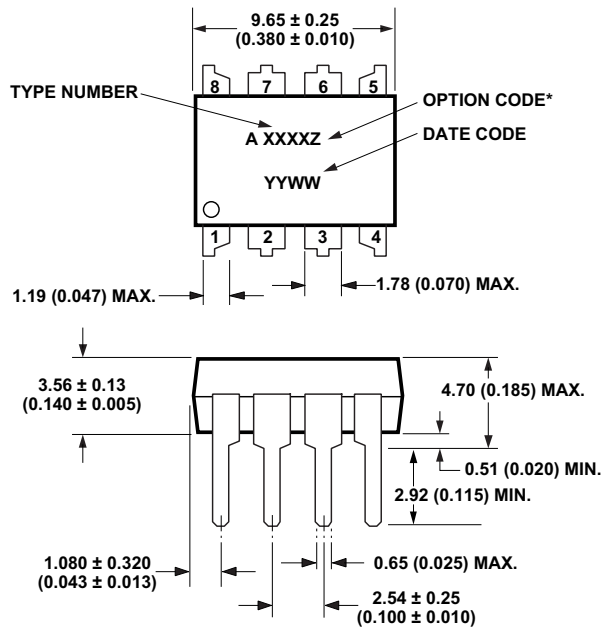
Approval under CSA Component Acceptance Notice #5, File CA 88324.

Recommended Pb-Free IR Profile

Recommended reflow condition as per JEDEC Standard, J-STD-020 (latest revision). Non-Halide Flux should be used.

Package Outline Drawings

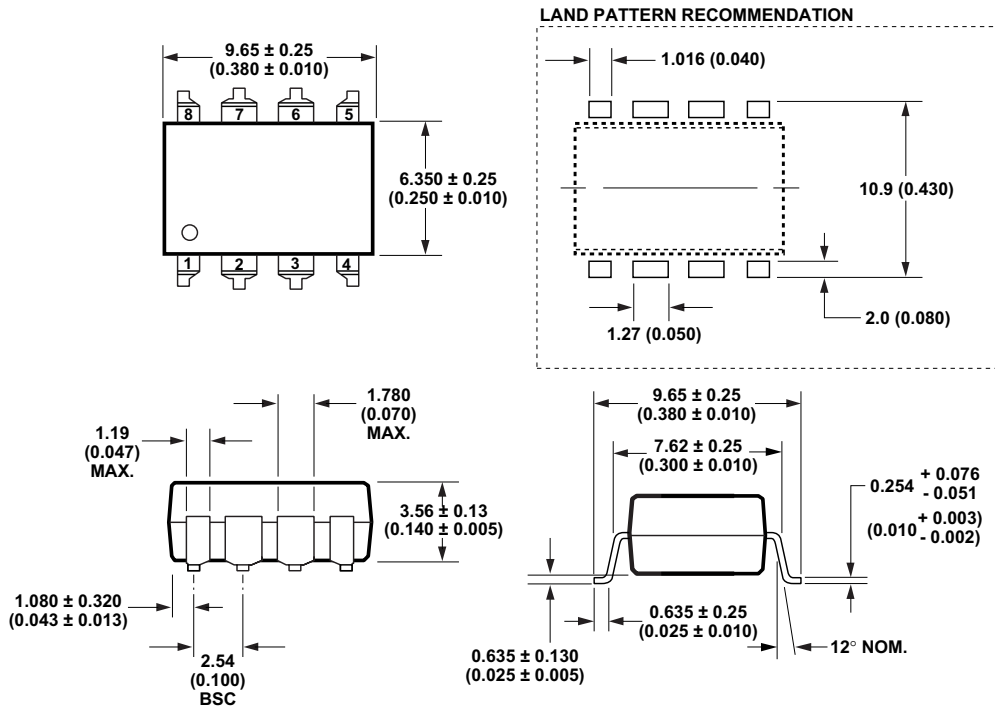
ACPL-T350 Outline Drawing



DIMENSIONS IN MILLIMETERS AND (INCHES).
 * MARKING CODE LETTER FOR OPTION NUMBERS.
 "V" = OPTION 060
 OPTION NUMBERS 300 AND 500 NOT MARKED.

NOTE: FLOATING LEAD PROTRUSION IS 0.25 mm (10 mils) MAX.

ACPL-T350 Outline Drawing



DIMENSIONS IN MILLIMETERS (INCHES).
 LEAD COPLANARITY = 0.10 mm (0.004 INCHES).

NOTE: FLOATING LEAD PROTRUSION IS 0.25 mm (10 mils) MAX.

Table 1. IEC/EN/DIN EN 60747-5-5 Insulation Characteristics* (ACPL-T350 Option 060)

| Description | Symbol | ACPL-T350 Option 060 | Unit |
|--|---------------|-----------------------------|-------------|
| Installation classification per DIN VDE 0110/39, Table 1 for rated mains voltage $\leq 150 V_{rms}$ for rated mains voltage $\leq 300 V_{rms}$ for rated mains voltage $\leq 450 V_{rms}$ | | I – IV I – IV I – III | |
| Climatic Classification | | 55/100/21 | |
| Pollution Degree (DIN VDE 0110/39) | | 2 | |
| Maximum Working Insulation Voltage | V_{IORM} | 630 | V_{peak} |
| Input to Output Test Voltage, Method b* $V_{IORM} \times 1.875 = V_{PR}$, 100% Production Test with $t_m = 1$ sec, Partial discharge < 5 pC | V_{PR} | 1181 | V_{peak} |
| Input to Output Test Voltage, Method a* $V_{IORM} \times 1.6 = V_{PR}$, Type and Sample Test, $t_m = 10$ sec, Partial discharge < 5 pC | V_{PR} | 1008 | V_{peak} |
| Highest Allowable Overvoltage (Transient Overvoltage $t_{ini} = 60$ sec) | V_{IOTM} | 6000 | V_{peak} |
| Safety-limiting values – maximum values allowed in the event of a failure | | | |
| Case Temperature | T_S | 175 | $^{\circ}C$ |
| Input Current | $I_S, INPUT$ | 230 | mA |
| Output Power | $P_S, OUTPUT$ | 600 | mW |
| Insulation Resistance at $T_S, V_{IO} = 500$ V | R_S | $> 10^9$ | Ω |

* Refer to the optocoupler section of the Isolation and Control Components Designer's Catalog, under Product Safety Regulations section, (IEC/EN/DIN EN 60747-5-5) for a detailed description of Method a and Method b partial discharge test profiles.

Note: These optocouplers are suitable for "safe electrical isolation" only within the safety limit data. Maintenance of the safety data shall be ensured by means of protective circuits. Surface mount classification is Class A in accordance with CECC 00802.

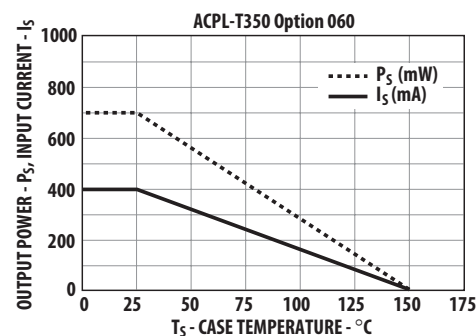


Table 2. Insulation and Safety Related Specifications

| Parameter | Symbol | ACPL-T350 | Units | Conditions |
|---|--------|-----------|-------|--|
| Minimum External Air Gap (Clearance) | L(101) | 7.1 | mm | Measured from input terminals to output terminals, shortest distance through air. |
| Minimum External Tracking (Creepage) | L(102) | 7.4 | mm | Measured from input terminals to output terminals, shortest distance path along body. |
| Minimum Internal Plastic Gap (Internal Clearance) | | 0.08 | mm | Through insulation distance conductor to conductor, usually the straight line distance thickness between the emitter and detector. |
| Tracking Resistance (Comparative Tracking Index) | CTI | > 175 | V | DIN IEC 112/VDE 0303 Part 1 |
| Isolation Group | | IIIa | | Material Group (DIN VDE 0110, 1/89, Table 1) |

All Avago data sheets report the creepage and clearance inherent to the optocoupler component itself. These dimensions are needed as a starting point for the equipment designer when determining the circuit insulation requirements. However, once mounted on a printed circuit board, minimum creepage and clearance requirements must be met as specified for individual equipment standards. For creepage, the shortest distance path along the surface of a printed circuit board between the solder fillets of the input and output leads must be considered (the recommended Land Pattern does not necessarily meet the minimum creepage of the device). There are recommended techniques such as grooves and ribs which may be used on a printed circuit board to achieve desired creepage and clearances. Creepage and clearance distances will also change depending on factors such as pollution degree and insulation level.

Table 3. Absolute Maximum Ratings

| Parameter | Symbol | Min. | Max. | Units | Note |
|---|---|------|----------|-------|------|
| Storage Temperature | T_S | -55 | 125 | °C | |
| Operating Temperature | T_A | -40 | 100 | °C | |
| Average Input Current | $I_{F(AVG)}$ | | 25 | mA | 1 |
| Peak Transient Input Current ($<1 \mu s$ pulse width, 300pps) | $I_{F(TRAN)}$ | | 1.0 | A | |
| Reverse Input Voltage | V_R | | 5 | V | |
| “High” Peak Output Current | $I_{OH(PEAK)}$ | | 2.5 | A | 2 |
| “Low” Peak Output Current | $I_{OL(PEAK)}$ | | 2.5 | A | 2 |
| Supply Voltage | $V_{CC} - V_{EE}$ | 0 | 35 | V | |
| Input Current (Rise/Fall Time) | $t_{r(IN)} / t_{f(IN)}$ | | 500 | ns | |
| Output Voltage | $V_{O(PEAK)}$ | 0 | V_{CC} | V | |
| Output Power Dissipation | P_O | | 250 | mW | 3 |
| Total Power Dissipation | P_T | | 295 | mW | 4 |
| Lead Solder Temperature | 260°C for 10 sec., 1.6 mm below seating plane | | | | |

Table 4. Recommended Operating Conditions

| Parameter | Symbol | Min. | Max. | Units | Note |
|-------------------------------|-------------------|------|------|-------|------|
| Power Supply | $V_{CC} - V_{EE}$ | 15 | 30 | V | |
| Input Current (ON) | $I_{F(ON)}$ | 7 | 16 | mA | |
| Input Voltage (OFF) | $V_{F(OFF)}$ | -3.6 | 0.8 | V | |
| $I_{OH(PEAK)} / I_{OL(PEAK)}$ | T_A | -2.0 | 2.0 | A | |
| Operating Temperature | T_A | -40 | 100 | °C | |

Table 5. Electrical Specifications (DC)

Over recommended operating conditions ($T_A = -40$ to 100°C , $I_{F(ON)} = 7$ to 16 mA, $V_{F(OFF)} = -3.6$ to 0.8 V, $V_{CC} = 15$ to 30 V, $V_{EE} = \text{Ground}$) unless otherwise specified. All typical values at $T_A = 25^\circ\text{C}$ and $V_{CC} - V_{EE} = 30$ V, unless otherwise noted.

| Parameter | Symbol | Min. | Typ. | Max. | Units | Test Conditions | Fig. | Note |
|---|-------------------------|------------|--------------|------|----------------------|--|----------|------|
| High Level Output Current | I_{OH} | 0.5 | 1.6 | | A | $V_O = V_{CC} - 4$ V | 2, 3, 15 | 5 |
| | | 2.0 | | | A | $V_O = V_{CC} - 15$ V | | 2 |
| Low Level Output Current | I_{OL} | 0.5 | 1.6 | | A | $V_O = V_{EE} + 2.5$ V | 5, 6, 16 | 5 |
| | | 2.0 | | | A | $V_O = V_{EE} + 15$ V | | 2 |
| High Level Output Voltage | V_{OH} | $V_{CC}-4$ | $V_{CC}-3$ | | V | $I_O = -100$ mA | 1, 3, 17 | 6, 7 |
| Low Level Output Voltage | V_{OL} | | $V_{EE}+0.5$ | 1.5 | V | $I_O = 100$ mA | 4, 6, 18 | |
| High Level Supply Current | I_{CCH} | | 2.0 | 4.0 | mA | Output open, $I_F = 7$ to 16 mA | 7, 8 | |
| Low Level Supply Current | I_{CCL} | | 2.0 | 4.0 | mA | Output open, $V_F = -3.0$ to $+0.8$ V | | |
| Threshold Input Current Low to High | I_{FLH} | | 2.0 | 5 | mA | $I_O = 0$ mA, $V_O > 5$ V | 9, 19 | |
| Threshold Input Voltage High to Low | V_{FHL} | 0.8 | | | V | $I_O = 0$ mA, $V_O > 5$ V | | |
| Input Forward Voltage | V_F | 1.2 | 1.5 | 1.8 | V | $I_F = 10$ mA | | |
| Temperature Coefficient of Input Forward Voltage | $\Delta V_F/\Delta T_A$ | | -2.0 | | mV/ $^\circ\text{C}$ | $I_F = 10$ mA | | |
| Input Reverse Breakdown Voltage | BV_R | 5 | | | V | $I_R = 10$ μA | | |
| Input Capacitance | C_{IN} | | 60 | | pF | $f = 1$ MHz, $V_F = 0$ V | | |
| UVLO Threshold | V_{UVLO+} | 11.0 | 12.3 | 13.5 | V | $I_F = 10$ mA, $V_O > 5$ V | 14, 20 | |
| | V_{UVLO-} | 9.5 | 10.7 | 12.0 | V | $I_F = 10$ mA, $V_O > 5$ V | | |
| UVLO Hysteresis | $UVLO_{HYS}$ | | 1.6 | | V | $I_F = 10$ mA, $V_O > 5$ V | | |

Table 6. Switching Specifications (AC)

Over recommended operating conditions ($T_A = -40$ to 100°C , $I_{F(ON)} = 7$ to 16 mA, $V_{F(OFF)} = -3.6$ to 0.8 V, $V_{CC} = 15$ to 30 V, $V_{EE} = \text{Ground}$) unless otherwise specified. All typical values at $T_A = 25^\circ\text{C}$ and $V_{CC} - V_{EE} = 30$ V, unless otherwise noted.

| Parameter | Symbol | Min. | Typ. | Max. | Units | Test Conditions | Fig. | Note |
|--|--------------------------------|-------|------|------|-------------------|---|-------------------|--------|
| Propagation Delay Time to High Output Level | t_{PLH} | 0.05 | 0.25 | 0.5 | μs | $R_g = 10$ Ω , $C_g = 10$ nF, $f = 10$ kHz, Duty Cycle = 50% | 10, 11, 12, 21 | 8 |
| Propagation Delay Time to Low Output Level | t_{PHL} | 0.05 | 0.25 | 0.5 | μs | | | |
| Pulse Width Distortion | PWD | | | 0.3 | μs | | | 9 |
| Propagation Delay Difference Between Any Two Parts or Channels | PDD ($t_{PHL} - t_{PLH}$) | -0.35 | | 0.35 | μs | | | 10 |
| Rise Time | t_R | | 15 | | ns | | 21 | |
| Fall Time | t_F | | 20 | | ns | | | |
| Output High Level Common Mode Transient Immunity | $ CM_H $ | 15 | 20 | | kV/ μs | $T_A = 25^\circ\text{C}$, $I_F = 10$ to 16 mA, $V_{CM} = 1500$ V, $V_{CC} = 30$ V | 22 | 11, 12 |
| Output Low Level Common Mode Transient Immunity | $ CM_L $ | 15 | 20 | | kV/ μs | $T_A = 25^\circ\text{C}$, $V_F = 0$ V, $V_{CM} = 1500$ V, $V_{CC} = 30$ V | 22 | 11, 13 |

Table 7. Package Characteristics

Over recommended temperature ($T_A = -40$ to 100°C) unless otherwise specified. All typicals at $T_A = 25^\circ\text{C}$.

| Parameter | Symbol | Min. | Typ. | Max. | Units | Test Conditions | Fig. | Note |
|--|---------------|------|-----------|------|---------------------------|---|------|--------|
| Input-Output Momentary Withstand Voltage** | V_{ISO} | 3750 | | | Vrms | RH < 50%, t = 1 min., $T_A = 25^\circ\text{C}$ | | 14, 15 |
| Resistance Input-Output) | R_{I-O} | | 10^{12} | | Ω | $V_{I-O} = 500\text{ V}$ | | 15 |
| Capacitance Input-Output) | C_{I-O} | | 0.6 | | pF | Freq=1 MHz | | |
| LED-to-Case Thermal Resistance | θ_{LC} | | 467 | | $^\circ\text{C}/\text{W}$ | Thermocouple located at center underside of package | | |
| LED-to-Detector Thermal Resistance | θ_{LD} | | 442 | | $^\circ\text{C}/\text{W}$ | | | |
| Detector-to-Case Thermal Resistance | θ_{DC} | | 126 | | $^\circ\text{C}/\text{W}$ | | | |

** The Input-Output Momentary Withstand Voltage is a dielectric voltage rating that should not be interpreted as an input-output continuous voltage rating. For the continuous voltage rating refers to your equipment level safety specification or Avago Application Note 1074 entitled "Optocoupler Input-Output Endurance Voltage."

Notes:

1. Derate linearly above 70°C free-air temperature at a rate of $0.3\text{ mA}/^\circ\text{C}$.
2. Maximum pulse width = $10\ \mu\text{s}$.
3. Derate linearly above 70°C free-air temperature at a rate of $4.8\text{ mW}/^\circ\text{C}$.
4. Derate linearly above 70°C free-air temperature at a rate of $5.4\text{ mW}/^\circ\text{C}$. The maximum LED junction temperature should not exceed 125°C .
5. Maximum pulse width = $50\ \mu\text{s}$
6. In this test V_{OH} is measured with a dc load current. When driving capacitive loads V_{OH} will approach V_{CC} as I_{OH} approaches zero amps.
7. Maximum pulse width = 1 ms
8. This load condition approximates the gate load of a $1200\text{ V}/100\text{A}$ IGBT.
9. Pulse Width Distortion (PWD) is defined as $|t_{PHL} - t_{PLH}|$ for any given device.
10. The difference between t_{PHL} and t_{PLH} between any two ACPL-T350 parts under the same test condition.
11. Pins 1 and 4 need to be connected to LED common.
12. Common mode transient immunity in the high state is the maximum tolerable dV_{CM}/dt of the common mode pulse, V_{CM} , to assure that the output will remain in the high state (i.e., $V_O > 15.0\text{ V}$).
13. Common mode transient immunity in a low state is the maximum tolerable dV_{CM}/dt of the common mode pulse, V_{CM} , to assure that the output will remain in a low state (i.e., $V_O < 2.0\text{ V}$).
14. In accordance with UL1577, each optocoupler is proof tested by applying an insulation test voltage $\geq 4500\text{ Vrms}$ for 1 second (leakage detection current limit, $I_{I-O} \leq 5\ \mu\text{A}$).
15. Device considered a two-terminal device: pins 1, 2, 3, and 4 shorted together and pins 5, 6, 7, and 8 shorted together.

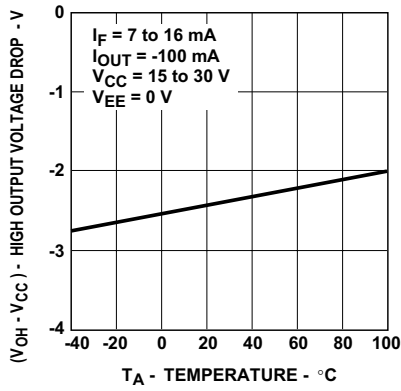


Figure 1. V_{OH} vs. temperature.

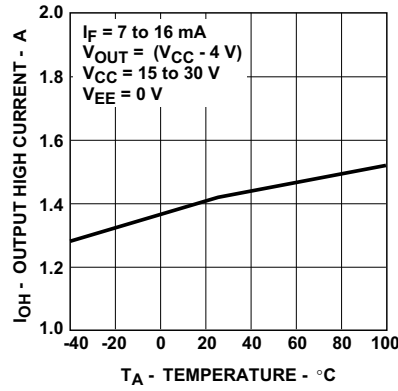


Figure 2. I_{OH} vs. temperature.

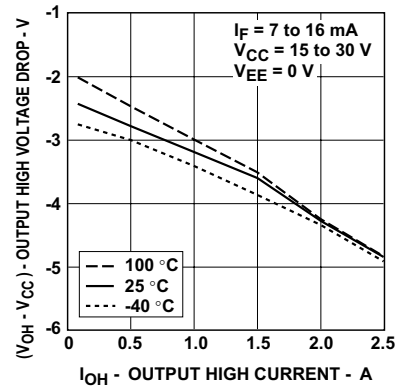


Figure 3. V_{OH} vs. I_{OH} .

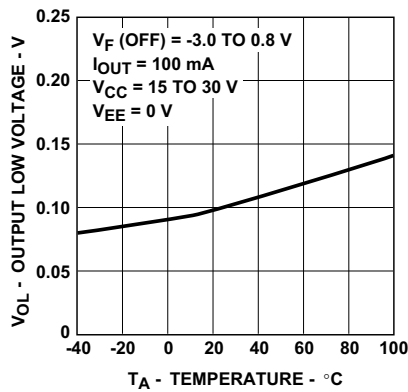


Figure 4. V_{OL} vs. temperature.

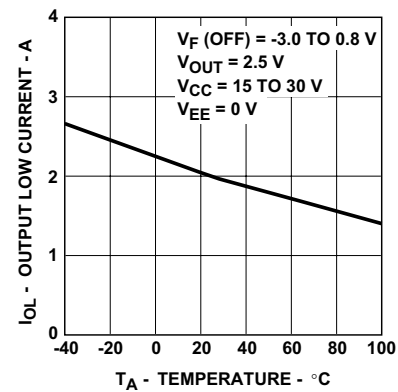


Figure 5. I_{OL} vs. temperature.

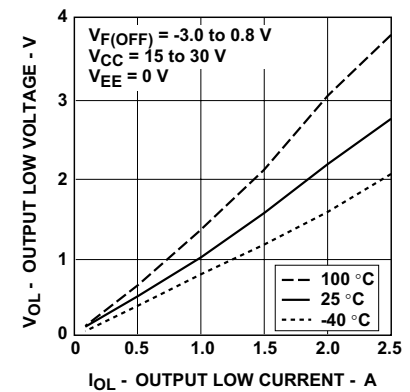


Figure 6. V_{OL} vs. I_{OL} .

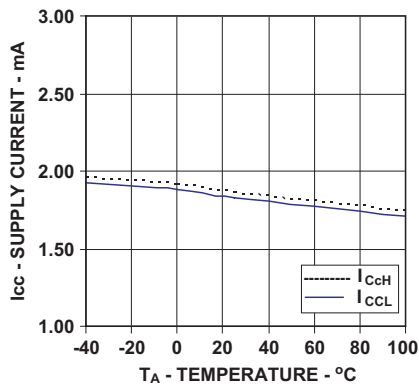


Figure 7. I_{CC} vs. Temperature

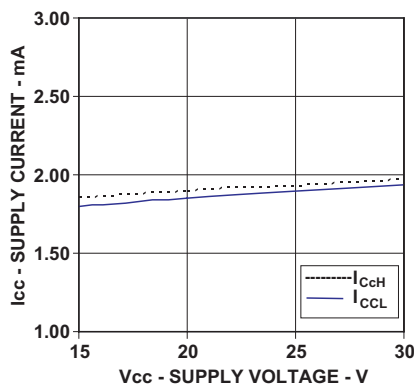


Figure 8. I_{CC} vs. V_{CC}

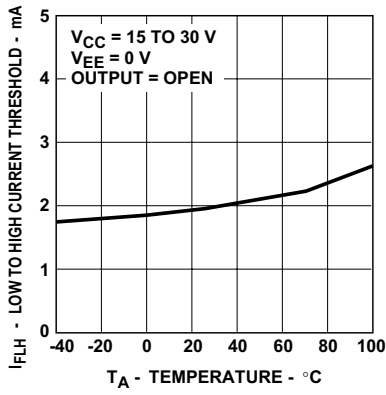


Figure 9. I_{FLH} vs. temperature.

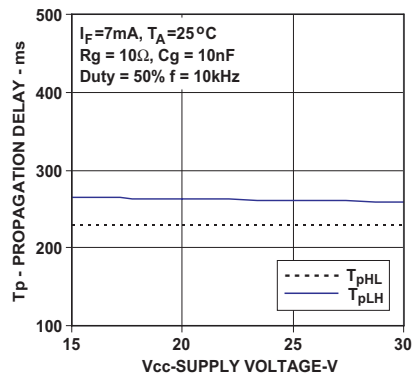


Figure 10. Propagation delay vs. V_{CC} .

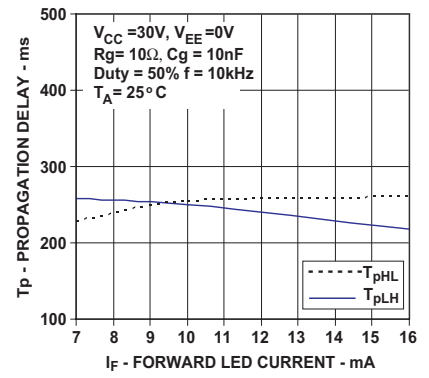


Figure 11. Propagation delay vs. I_F .

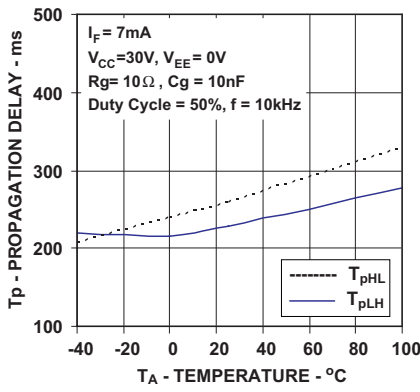


Figure 12. Propagation delay vs. Temperature

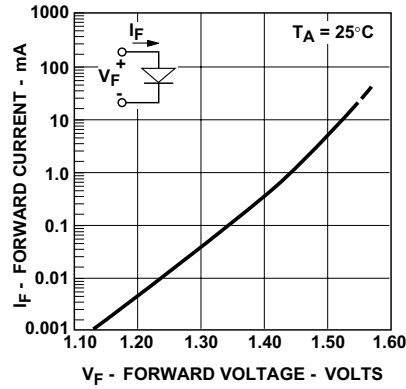


Figure 13. Input current vs. forward voltage.

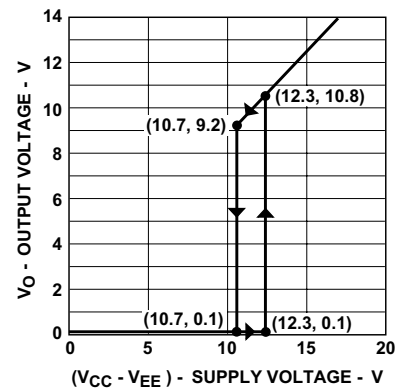


Figure 14. Under voltage lock out.

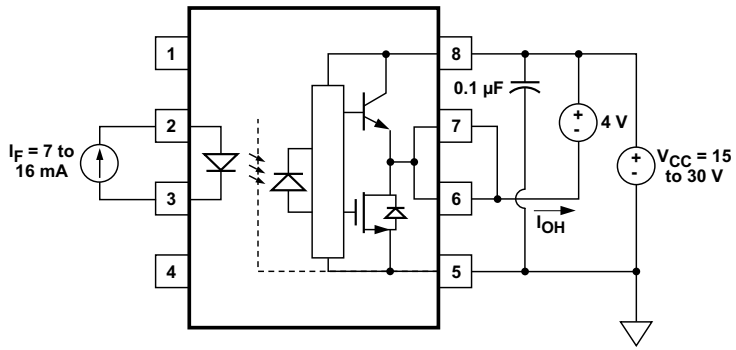


Figure 15. I_{OH} test circuit.

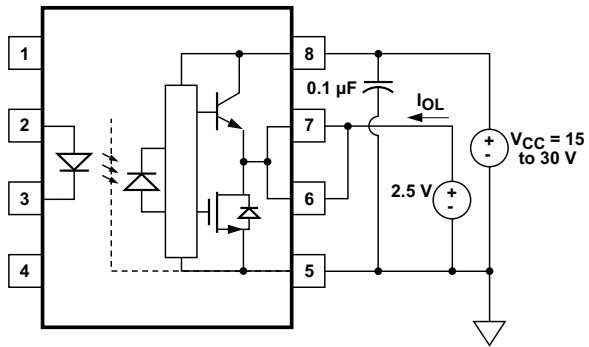


Figure 16. I_{OL} Test circuit.

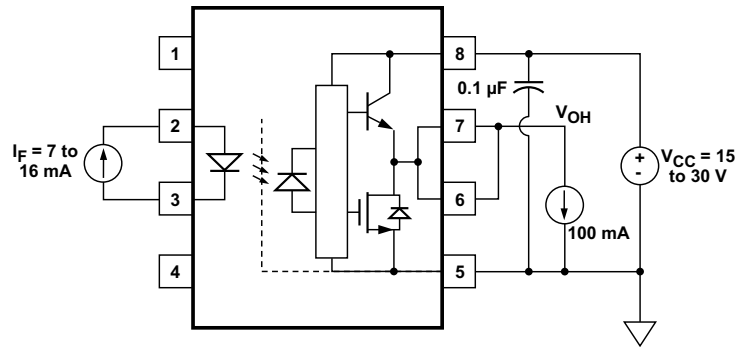


Figure 17. V_{OH} Test circuit.

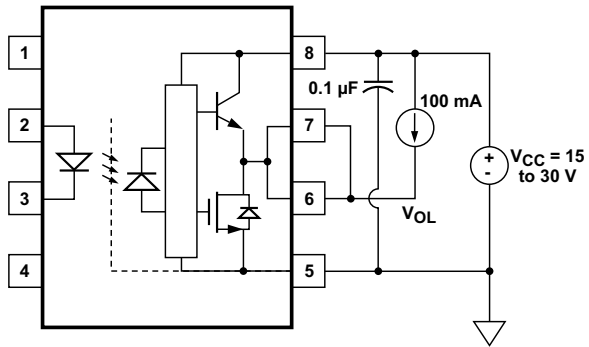


Figure 18. V_{OL} Test circuit.

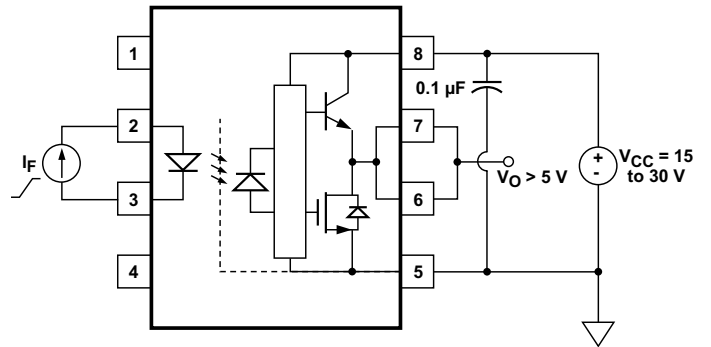


Figure 19. I_{FLH} Test circuit.

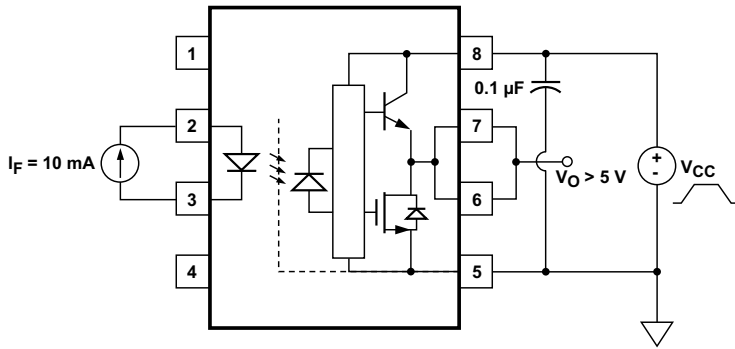


Figure 20. UVLO Test Circuit

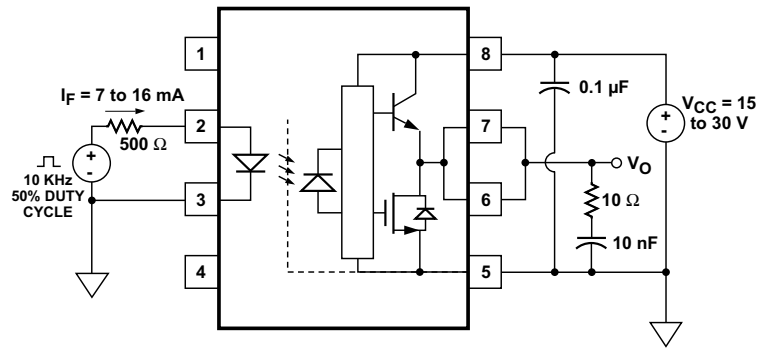


Figure 21. t_{PLH} , t_{PHL} , t_r , and t_f test circuit and waveforms.

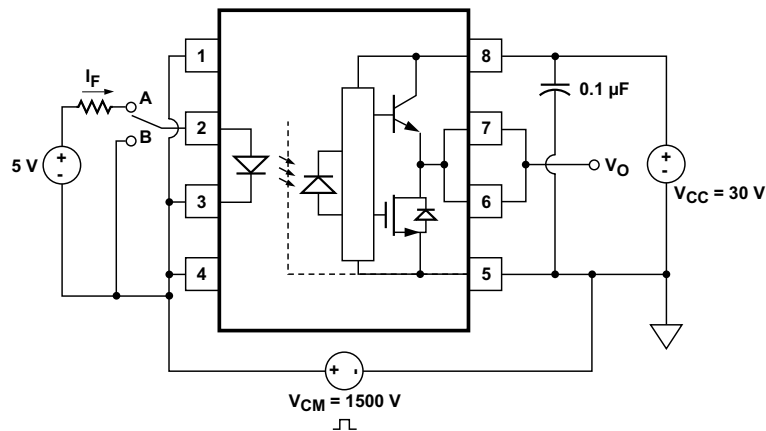
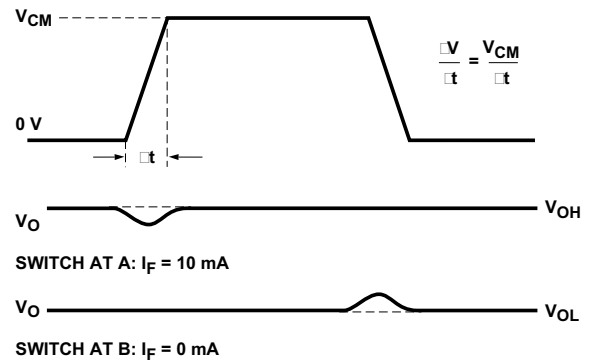
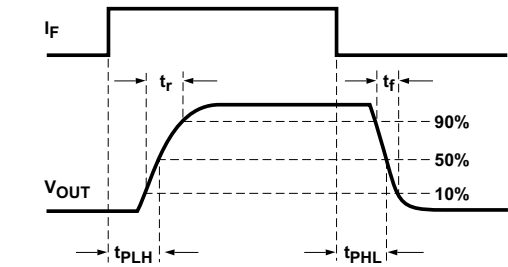


Figure 22. CMR test circuit and waveforms.



Typical Application Circuit

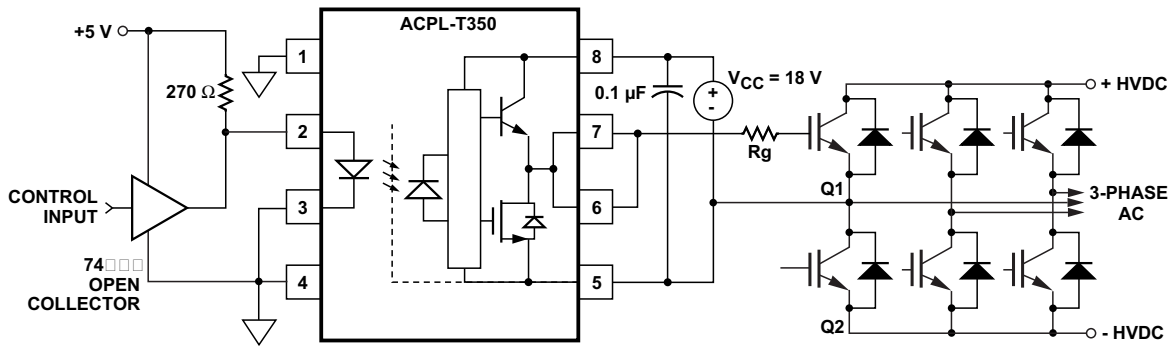


Figure 23. Recommended LED drive and application circuit.

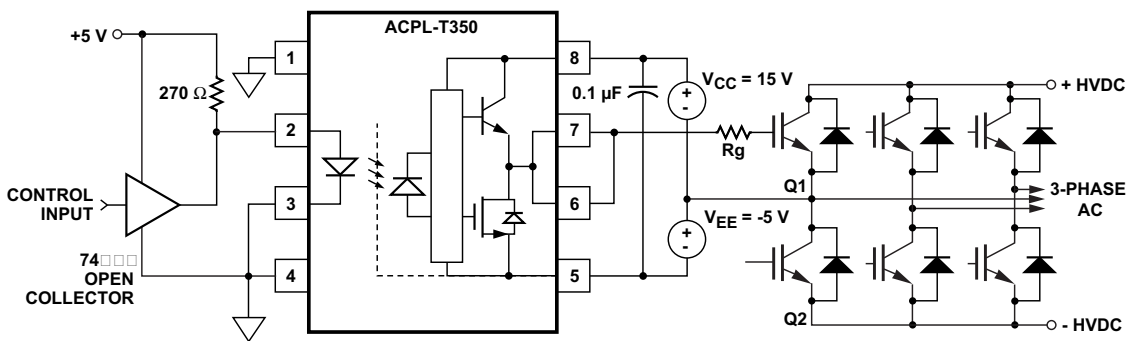


Figure 24. Typical application circuit with negative IGBT gate drive.

For product information and a complete list of distributors, please go to our web site: www.avagotech.com

Avago, Avago Technologies, and the A logo are trademarks of Avago Technologies, Limited in the United States and other countries. Data subject to change. Copyright © 2005-2012 Avago Technologies Limited. All rights reserved. AV02-0308EN - October 30, 2012

Avago
TECHNOLOGIES