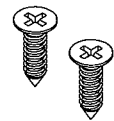
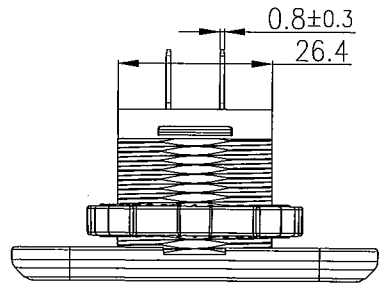
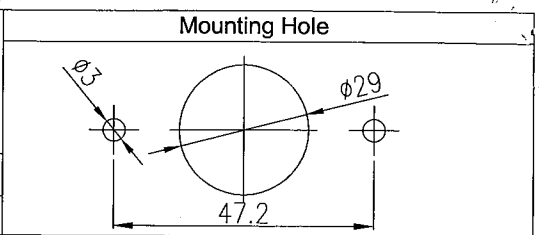
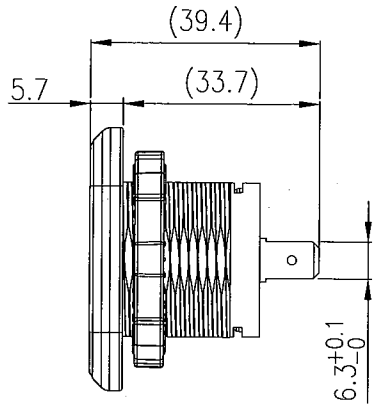
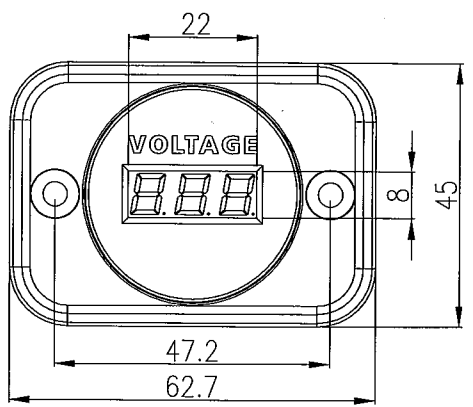
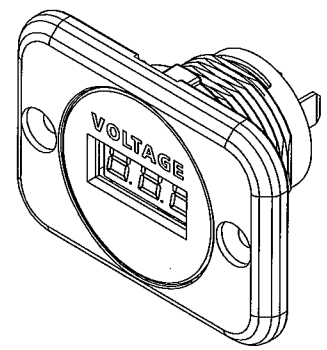


Rating	Input 6V-33V DC Voltage Tolerance: +/- 1% (0.1V @ 12V, 0.2V @ 24V) Green LED display. Reverse polarity protection Surge protection up to 35V/400W
Insulation Resistance	DC 500V 100MΩ Min.
Operating Temperature	-20°C~50°C

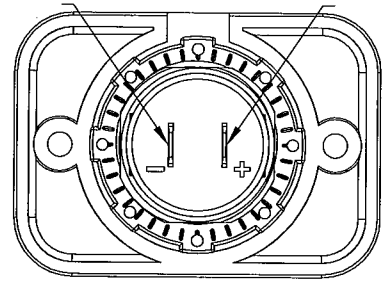


Screw in Bulk  
Φ4XL14



Ground Tab  
Quick Terminal(.250")

Positive Tab  
Quick Terminal(.250")



Tolerances ±0.5 Unless Otherwise Specified

			△	Drawn	Checked	Approved	SCI BOM No.	1570047	Model Name	DC Voltmeter	
			△	方婷鳳	許廷禧	李政明	Customer No.		Model No.	A25-1-PS1-BB3-G	Rev.
Date	Name	Description	No.	02/27/19	3/4/19	3/6/19	Unit	mm	Shin Chin Industrial Co., Ltd.		0