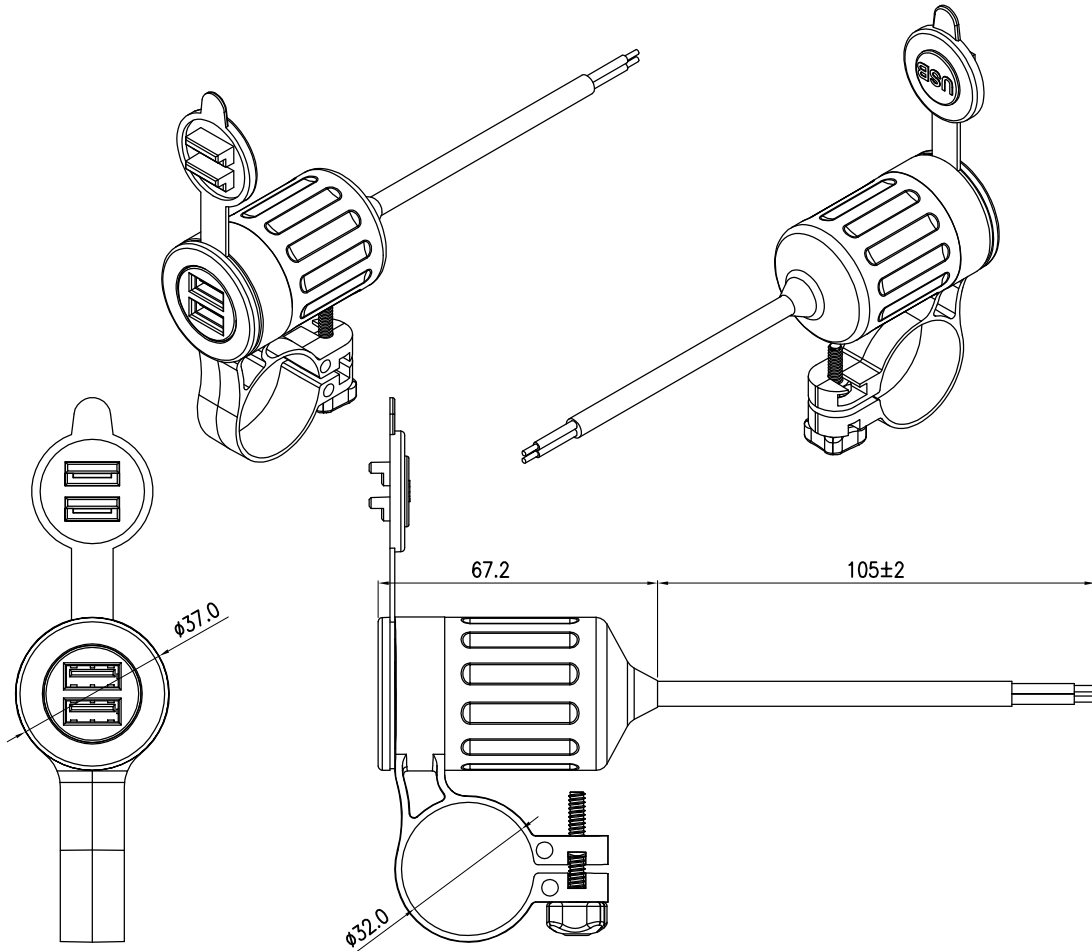


Rating	Input:12-24V DC Output:5V DC 2.1A+2.1A max.
Insulation Resistance	DC 500V 100MΩ Min.
Dielectric Strength	AC 1500V 1 minute
Operation Temperature	-20°C~40°C

Packing



								△
								△
Date	Name	Description					No.	
Drawn	Checked	Approved	SCI BOM No.	1251689	Model Name	POWER SOCKET		
洪啟峰			Customer No.		Model No.	A13-229194B2-BB3	Rev.	
8/6/'18			Unit	mm	Shin Chin Industrial Co., Ltd.		0	