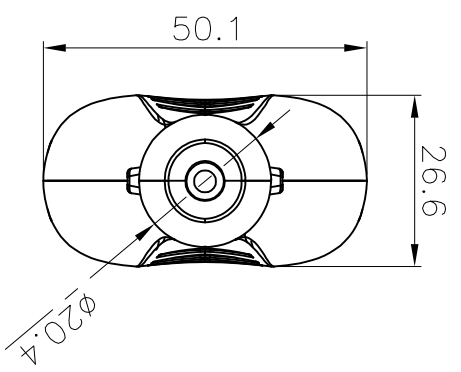
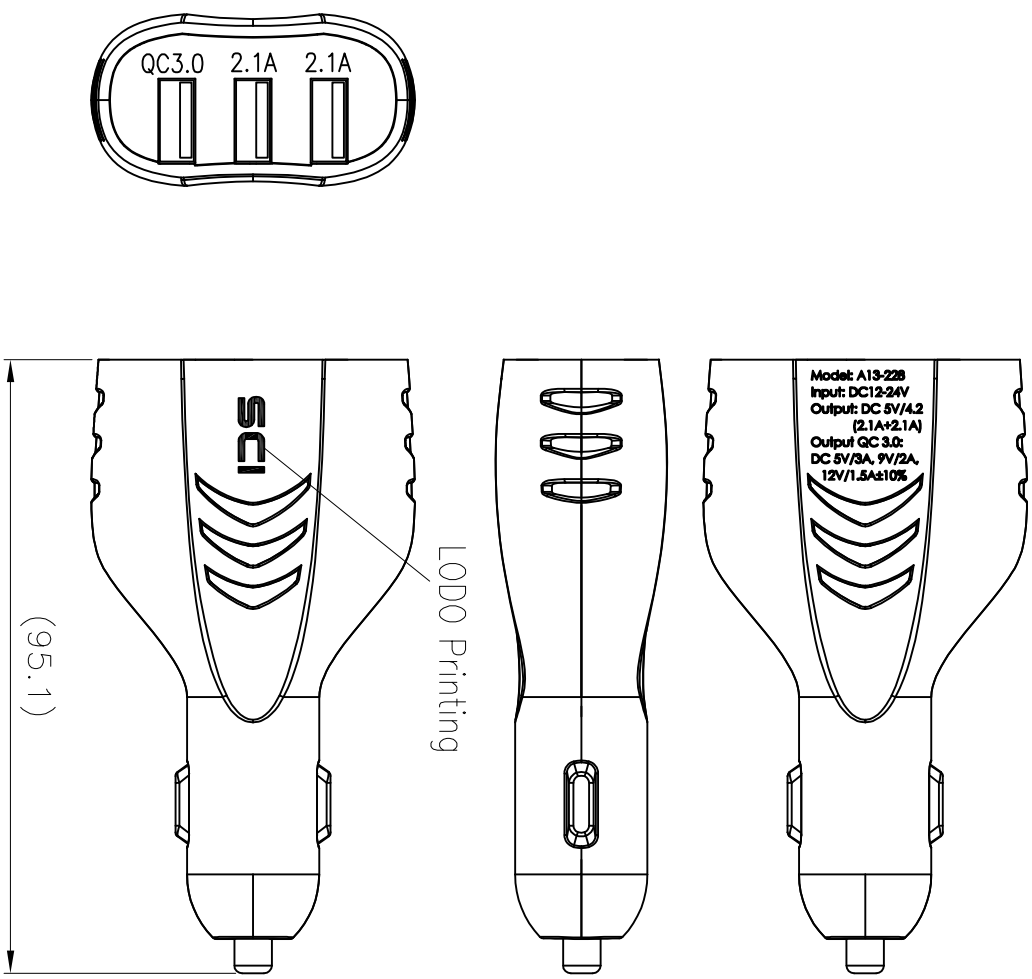


Rating	Input: 12/24V DC USB socket - 5V 2.1A+2.1A QC3.0 socket - 5V/3A 9V/2A 12V/1.5A±10%
Insulation Resistance	DC 500V 100MΩ Min.
Operating Temperature	-20°C ~ +50°C
Material	Housing: ABS Contact: nickel plated iron Spring Contact: nickel plated spring steel



A13-228BU3



Date	Name	Description	Drawn	Checked	Approved	SCI BOM No.	Customer No.	Unit	Model Name	3USB Adapter	REV.
			林文和					mm	Model No.	A13-228BU3	X0
			NO						Shin Chin Industrial Co., Ltd.		