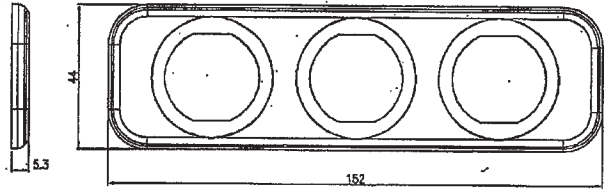
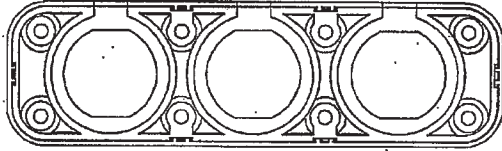
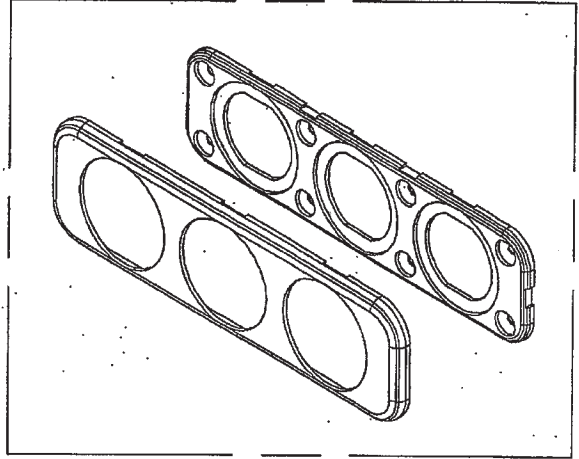




Screw-In Bulk  
 Ø4\*14\*8PCS



Date	Name	Description				No.
Drawn	Checked	Approved	SCI BOM No.	1251529	Model Name	Double Layer Double hole socket
方婷鳳			Customer No.		Model No.	A13-216DTP-B
04/25/16		16/4/16	Unit	mm	Shin Chin Industrial Co., Ltd.	
						Rev. 0