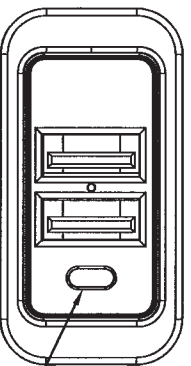
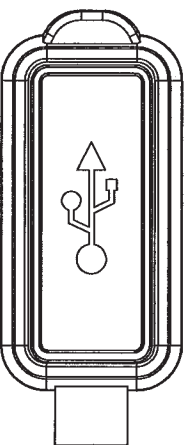
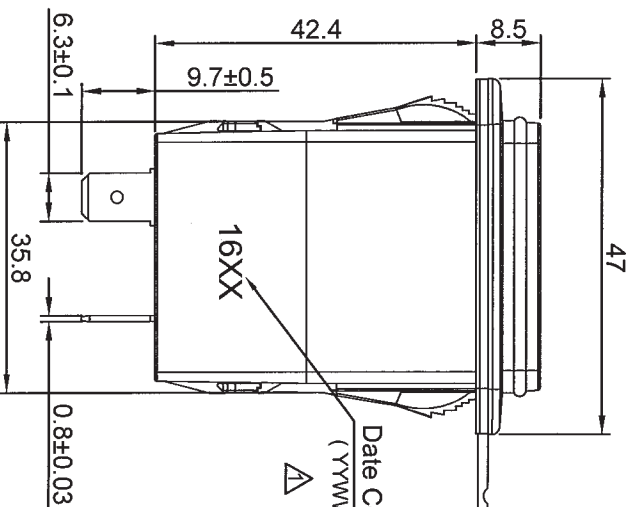
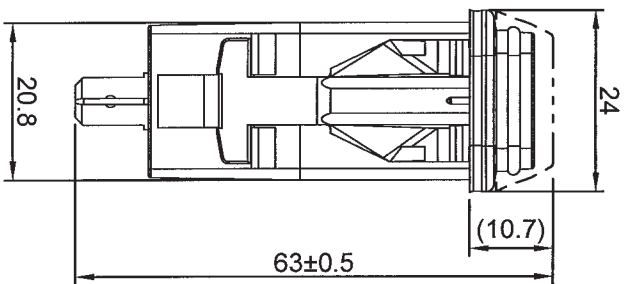


Rating	Input	12-24V DC	Mounting Hole
	Output	2 Port USB 5V-2.4A/2.4A	
Contact Resistance	50m ohm Max.		
Insulation Resistance	DC 500V 100M ohm Min.		
Operation Temperature	-20°C~+45°C		
Storage Temperature	-20°C~+60°C		Thickness: 1.0-5.5mm

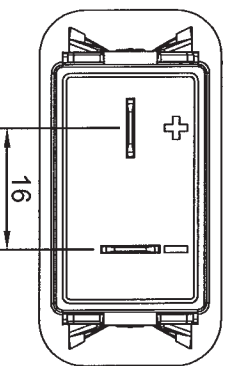


Led

*Materials:
 Frame: Black, Nylon 66 (94V-2)
 Terminals : Nickel plated brass .
 Water proof sealing cap.
 *Sealed: Standard socket provides to IP64.



Date Code
(YYYYWW)



TOLERANCE: ±0.3mm UNLESS OTHERWISE SPECIFIED.

8/18/16	Jam Chan	增加Date Code 標示位置.							
Date	Name	Description		No.					
Drawn	Checked	Approved	SCI BOM No.	1251372	Model Name	USB Socket			
Jam Chan			Customer No.		Model No.	A13-208			Rev.
1/20/15			Unit	mm	Shin Chin Industrial Co., Ltd.				1