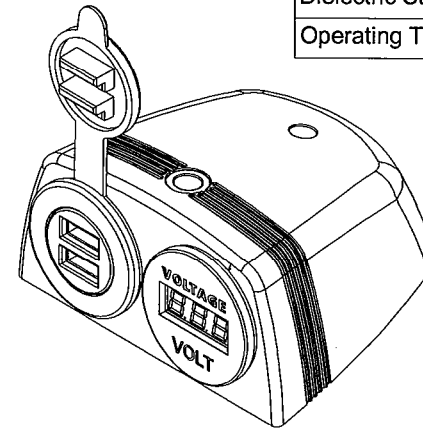
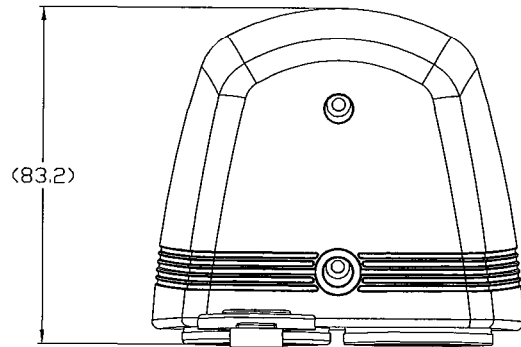
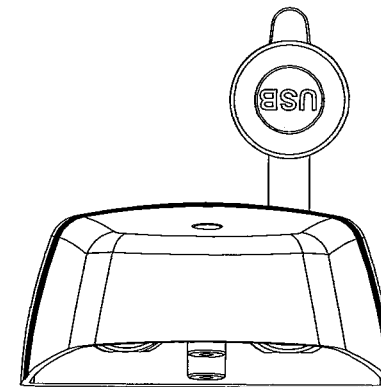
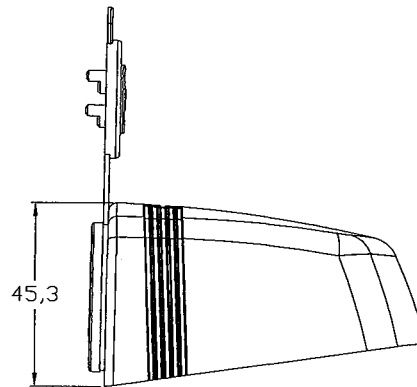
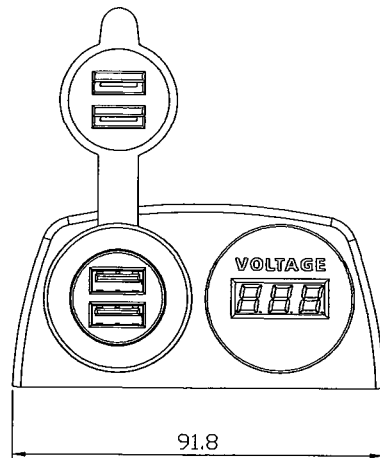


Screw in Bulk
 Ø 3*16



Rating	Input:12V/24 DC Output:USB Socket - 5V 2.1A max. Auto Sockets - 20A max.
Insulation Resistance	DC 500V 100MΩ Min.
Dielectric Strength	AC 1500V 1 minute
Operating Temperature	-0℃~60℃
	Input:6V~33V DC Voltage Tolerance: +/- 1% (0.1V @ 12V, 0.2V @ 24V) Green LED display. Reverse polarity protection Surge protection up to 400W/35V



原稿
 2019.3.19
 研發部

1.Tolerances ±0.3 Unless Otherwise Specified

Drawn	Checked	Approved	SCI BOM No.	1251837	Model Name	Double socket	
方婷鳳	評及核	李永明	Customer No.		Model No.	A13-194BA251HD-BB3	Rev.
03/07/19	3/11/19	3/11/19	Unit	mm	Shin Chin Industrial Co., Ltd.		0

Date	Name	Description	△ No.
------	------	-------------	----------