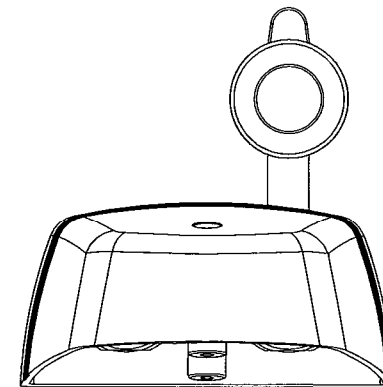
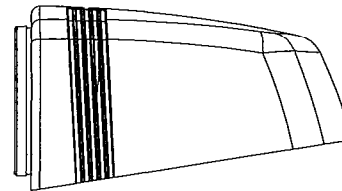
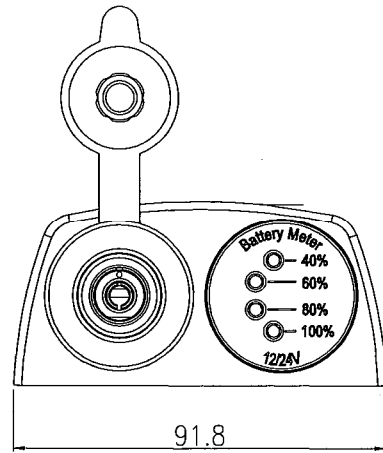
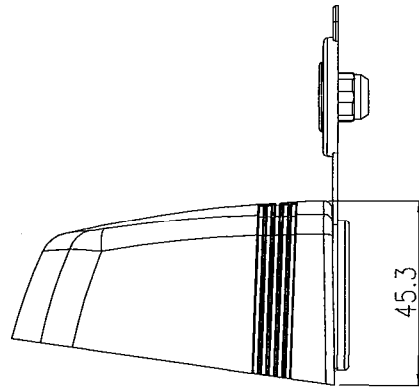
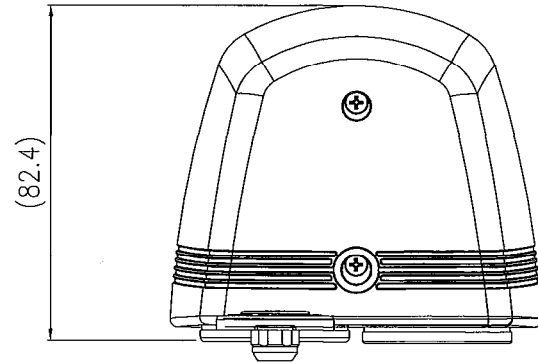


Screw in Bulk
 Ø 3*16



Rating	12V/24 DC 20A MAX
	Input: 12V~24V DC 4 LED display. Reverse polarity protection Surge protection up to 400W/35V
Insulation Resistance	DC 500V 100MΩ Min.
Dielectric Strength	AC 1500V 1 minute
Operating Temperature	-0°C~60°C

LED Display	Voltage		12V	24V
	40% ON	R	11.2V~11.9V	22.5V~23.7V
60% ON	A	11.7V~12.4V	23.5V~24.7V	
80% ON	Y	12.2V~12.8V	24.5V~25.5V	
100% ON	G	12.6V~15.9V	25.3V~32.1V	

原稿
 2019.3.19
 研發部

1.A13-144:With vertical 6.3mm snap-in terminals.
 2.Tolerances ±0.3 Unless Otherwise Specified

Drawn	Checked	Approved	SCI BOM No.	1251836	Model Name	Double socket	
方婷鳳	研發部	研發部	Customer No.		Model No.	A13-144DA254HD-BB3	Rev.
Date	Name	Description	No.	03/07/19	3/11/19	3/11/19	0
				Unit	mm	Shin Chin Industrial Co., Ltd.	