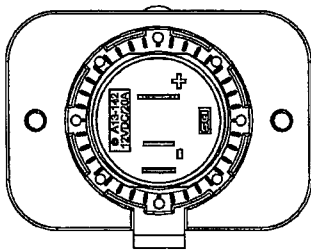
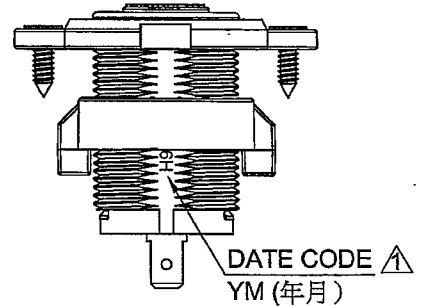
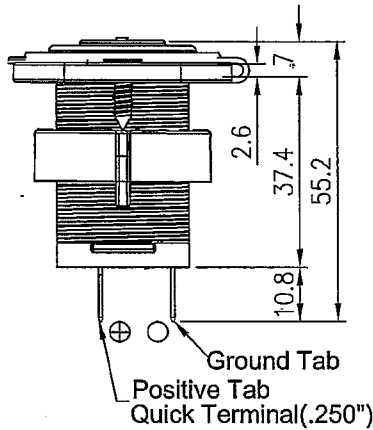
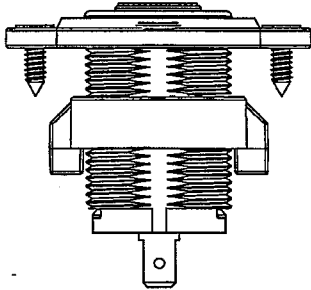
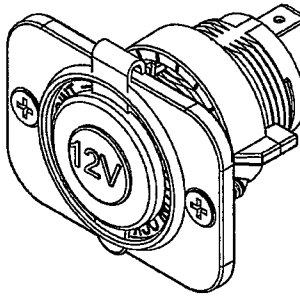
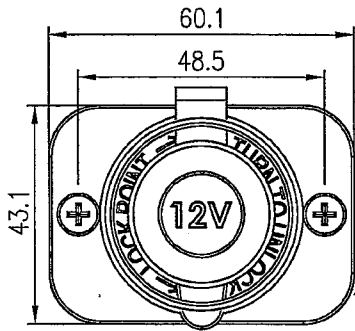


Rating	12V DC 20A max	
Insulation Resistance	DC 500V 100M ohm Min.	
Dielectric Strength	AC 1500V 1 minute	
Operation Temperature	-0°C~60°C	



Description:

- * Water proof sealing cap
- * SeaLink locking system
- * Easy to install using an optional mounting plate for front panel installation, or the locking ring for rear access installation
- * Compatible with standard CLA plugs

1 - Tolerances ± 0.3 Unless Otherwise Specified

8/25/16	曾敏捷	增加 DATE CODE.					△
Date	Name	Description					△
Drawn	Checked	Approved	SCI BOM No.	1250513	Model Name	SeaLink CLA Socket	
曾敏捷		<i>Smoin</i>	Customer No.		Model No.	A13-142AP-BB1	Rev.
8/25/16		8/27-16	Unit	mm	Shin Chin Industrial Co., Ltd.		1

1251184