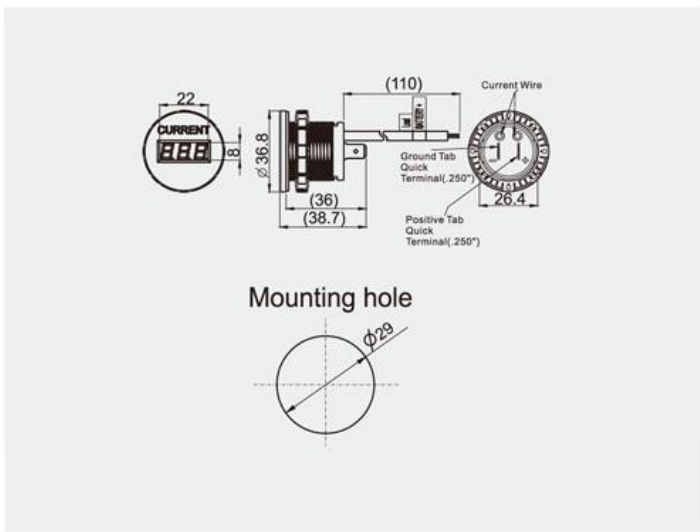


# A25-1B / 1D



## FEATURES

### LED DIGITAL DC AMP METER

#### \* RATING

Input voltage: 7V-33V DC.

**A25-1B:** Measuring current range: 0A~20A.

**A25-1D:** Measuring current range: 0A~25A.

#### \* MATERIAL

Housing: nylon with glass fiber.(UL 94-HB ).

\* 3-digit LED display, available with red, green and blue colors.

\* Reverse polarity protection.

\* Surge protection up to 400W/35V.

\* Mounting hole :  $\varnothing$  29mm.

\* Optional accessory: single / dual / triple mounting panel & surface mount cases.

\* **Unavailable in Australia market.**



\* The specification subject to change without notice. The drawing is for reference only.