

TECHNICAL SHEET

MODEL NUMBER:

A00032-05



DAB Antenna Specification

1. General Description

1.1	Application	Antennas
1.2	Operating Temperature	-20 °C ~ +80 °C
1.3	Storage Temperature	-30 °C ~ +80 °C
1.4	Humidity	45% ~ 65% RH under temperature range of 5 °C ~ +35 °C

2. Appearance – Construction - Dimensions

2.1	Dimensions	Refer to the drawing at section 5
2.2	Color	Refer to the physical sample
2.3	Weight	56 ± 5.0 g

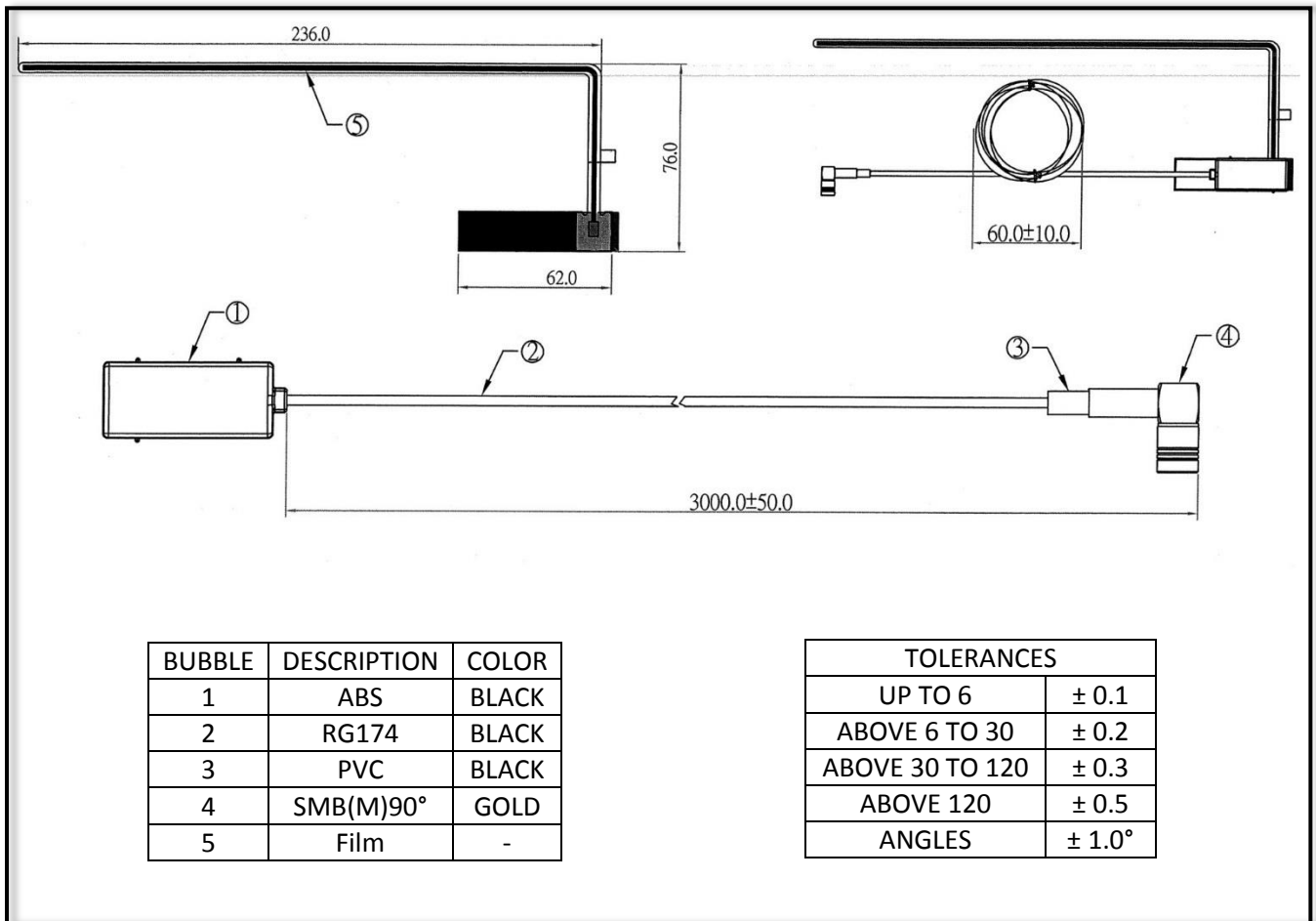
3. Electrical Specifications

3.1	Frequency range	174 ~ 240 MHz
3.2	V.S.W.R.	1.8 typ.
3.3	Impedance	50 Ω
3.4	Gain	17 dB ± 2.0 dB
3.5	Connector	SMB
3.6	Cable	RG174
3.7	Supply Voltage	9 – 16 VDC
3.8	Current Consumption	9 mA at 12VDC

4. Package

1 pc antenna into a PE bag.

5. Drawing



Revision History

0- 12/03/2019 First Release