

Cable Socket Angled with PCB, in Accordance with DIN EN 175301-803-A

2+PE and 3+PE



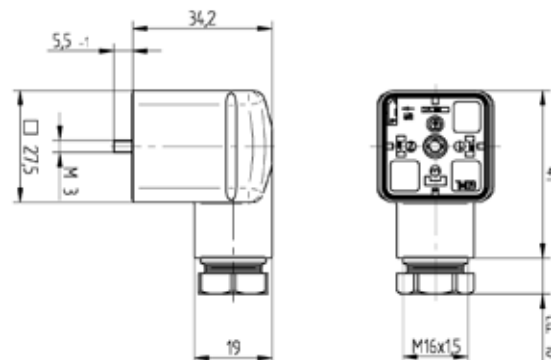
Housing Color: Black



Housing Color: Transparent

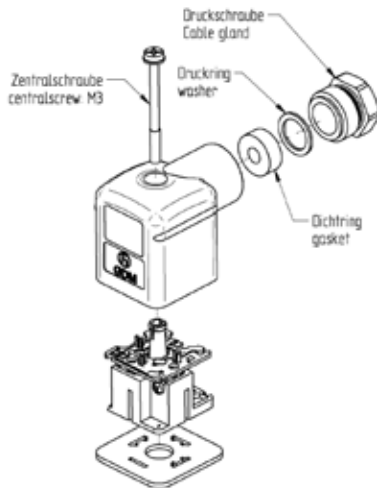
Type	GDM - see ordering information	
Product description	Cable socket angled...	
Order number	934-888-005...064 (see ordering information)	
Mechanical		
Type of contacts	female	
Number of contacts	2+PE and 3+PE (see ordering information)	
Cable gland	M16x1.5 (cable gland: M20x1.5, PG9, PG11 on request)	
Strain-relief	on request	
Conductor size	0.25 mm ² - 1.5 mm ²	
Standard	DIN EN 175301-803-A	
Construction type	A	
Color housing	black or transparent (other colors on request)	
Color contact bearer	black	
Description of Wiring		
Function indicator	optional (see circuit diagrams by product code)	
Current consumption	<20 mA, LED function indicator	
Voltage rectifier	optional full bridge rectifier, see circuits.	
Protective circuit	Overview voltage ranges:	
	Nominal Voltage	Max. Voltage
	12 V	15 V
	24 V	30 V
	48 V	60 V
	120 V	150 V
	230 V	250 V
	Overview nominal voltage and protective circuit	
12 V	Suppressordiode, Breakdownvoltage: 36 V	
24 V	Suppressordiode, Breakdownvoltage: 36 V	
24 V	Varistor, Varistor voltage: 47 V	
48 V	Varistor, Varistor voltage: 100 V	
120 V	Varistor, Varistor voltage: 240 V	
230 V	Varistor, Varistor voltage: 470 V	
230 V	recovery diode	
	Circuits (see circuit diagram by product code)	

Technical Illustration





Cable Socket Angled with PCB, in Accordance with DIN EN 175301-803-A 2+PE and 3+PE



Technical data	
Clearance / Creepage distance	DIN EN 60664-1 (2008/01); VDE 0110-1
Rated voltage	12V AC/DC - 250 AC/DC
Rated current	1A - 10A, see circuits / 1A, Bridge rectifier / 10A, LED function indicator (notice derating)
Rated impulse voltage	2,0 kV
Pollution degree	3 acc. to DIN EN 60664-1 (VDE0110)
Contact resistance	≤ 10 mOhm
Type of connection	Screw terminal
Mating cycles	max. 50
Suitable cables	Ø4,5 mm to Ø10 mm (different cable diameter on request)
Mounting	Central screw M 3x35
Materials	
Contact	CuZn
Contact surface	Cu/Sn
Contact bearer	PA 6 GF (standard material, other materials on request)
Housing	PA 6 GF (standard material, other materials on request)
Central screw	4.8, Fe/Zn B (other materials - see accessories)
Gasket(s)	SBR/NBR (standard material, other materials on request), cable gland
Cable gland screw	PA 6 GF (standard material, other materials on request)
Environmental conditions	
Protection class (IEC 60529) *	IP65**
Temperature range	-25°C to +90°C, notice Derating ***
* only if mounted and locked and in combination with Hirschmann / Lumberg connector.	
** Standard product IP65. IP67, IP68 on request.	
*** Temp.-range: -55°C to +90° depending on used materials.	
Flammability class	
Housing	UL 94 HB*
Contact bearer	UL 94 HB*
Cable gland screw	UL 94 HB*
* Standard: HB. Inflammability class: V0, 5VA on request	
Approvals	
VDE	in preparation
UL	UL 2238 in preparation
Accessories (accessories sold separately)	
Gaskets	
730-801-002	NBR, Temp. range: -30°C to +90°C, flat gasket GDM 3-7, brown
731-739-004	EPDM, Temp. range: -40°C to +125°C, flat gasket GDM 3-21, brown
731-740-002	MPQ, Temp. range: -40°C to +125°C, flat gasket GDM 3-17, red
731-531-002	NBR, Temp. range: -30°C to +90°C, profiled gasket GDM 3-16, black
731-532-002	VMQ, Temp. range: -40°C to +125°C, profiled gasket GDM 3-19, red
735-823-002	EPDM Temp. range: -40°C to +125°C, profiled gasket GDM 3-24, brown
Central screw	
732-488-002	knurled head (grey), GDM 3011-7
734-363-001	stainless steel screw, GDM 3011 RF-1
735-507-002	Torx screw, GDM 3011-18
Additional technical data	
Fastening torque (central screw)	M 3: (50-60) Ncm
Fastening torque (cable gland)	M 16x1,5: (250-375) Ncm
Fastening torque (contact screw)	M 3: (40-50) Ncm
Cutline	
Do not connect / disconnect under load.	



Ordering Information

Order No.	Type	Product Code	Coding	Color Housing	Current/Voltage Rating	Protective Circuit	Function Indicator
934-888-005	GDM2106-C1U	C1	2+PE	black	10A 230V, AC/DC	RC-element	-
934-888-006	GDM21F6-C2Y	C2	2+PE	transparent	10A 230V, AC/DC	RC-element	LED: yellow
934-888-007	GDM2106-C3S	C3	2+PE	black	1A 120V, AC/DC	Varistor / Capacitor	-
934-888-008	GDM2106-C3U	C3	2+PE	black	1A 230V, AC/DC	Varistor / Capacitor	-
934-888-009	GDM21F6-C4Y	C4	2+PE	transparent	1A 230V, AC/DC	Varistor / Capacitor	-
934-888-010	GDM2106-D1U	D1	2+PE	black	10A 230V, DC	Recoverydiode	-
934-888-011	GDM21F6-D24	D2	2+PE	transparent	10A 24V, DC	Recoverydiode	LED: yellow
934-888-012	GDM21F6-D28	D2	2+PE	transparent	10A 48V, DC	Recoverydiode	LED: yellow
934-888-013	GDM2106-D3U	D3	2+PE	black	1A 230V, AC/DC	-	-
934-888-014	GDM21F6-D44	D4	2+PE	transparent	1A 24V, AC/DC	-	LED: yellow
934-888-015	GDM21F6-D48	D4	2+PE	transparent	1A 48V, AC/DC	-	LED: yellow
934-888-016	GDM21F6-L12	L1	2+PE	transparent	10A 12V, AC/DC	-	LED: yellow
934-888-017	GDM21F6-L14	L1	2+PE	transparent	10A 24V, AC/DC	-	LED: yellow
934-888-018	GDM21F6-L18	L1	2+PE	transparent	10A 48V, AC/DC	-	LED: yellow
934-888-019	GDM21F6-L11	L1	2+PE	transparent	10A 120V, AC/DC	-	LED: yellow
934-888-020	GDM21F6-L1Y	L1	2+PE	transparent	10A 230V, AC/DC	-	LED: yellow
934-888-021	GDM31F6-P1J	P1	3+PE	transparent	10A 24V, DC	-	red/green
934-888-022	GDM31F6-P1N	P1	3+PE	transparent	10A 230V, DC	-	red/green
934-888-023	GDM31F6-P2J	P2	3+PE	transparent	10A 24V, DC	-	red/green
934-888-024	GDM31F6-P2N	P2	3+PE	transparent	10A 230V, DC	-	red/green
934-888-025	GDM2106-S1Q	S1	2+PE	black	10A 24V, AC/DC	Suppressordiode	-
934-888-026	GDM21F6-S22	S2	2+PE	transparent	10A 12V, AC/DC	Suppressordiode	LED: yellow
934-888-027	GDM21F6-S24	S2	2+PE	transparent	10A 24V, AC/DC	Suppressordiode	LED: yellow
934-888-028	GDM2106-S3Q	S3	2+PE	black	1A 24V, AC/DC	Suppressordiode	-
934-888-029	GDM21F6-S44	S4	2+PE	transparent	1A 24V, AC/DC	Suppressordiode	LED: yellow
934-888-030	GDM21F6-S9Y	S9	2+PE	transparent	10A 12V-230V AC/DC	-	LED: yellow
934-888-031	GDM2106-V1Q	V1	2+PE	black	10A 24V, AC/DC	Varistor	-
934-888-032	GDM2106-V1S	V1	2+PE	black	10A 120V, AC/DC	Varistor	-
934-888-033	GDM2106-V1U	V1	2+PE	black	10A 230V, AC/DC	Varistor	-
934-888-034	GDM21F6-V24	V2	2+PE	transparent	10A 24V, AC/DC	Varistor	LED: yellow
934-888-035	GDM21F6-V21	V2	2+PE	transparent	10A 120V, AC/DC	Varistor	LED: yellow
934-888-036	GDM21F6-V2Y	V2	2+PE	transparent	10A 230V, AC/DC	Varistor	LED: yellow
934-888-037	GDM2106-V3S	V3	2+PE	black	1A 120V, AC/DC	Varistor	-
934-888-038	GDM2106-V3U	V3	2+PE	black	1A 230V, AC/DC	Varistor	-
934-888-039	GDM21F6-V44	V4	2+PE	transparent	1A 24V, AC/DC	Varistor	LED: yellow
934-888-040	GDM21F6-V48	V4	2+PE	transparent	1A 48V, AC/DC	Varistor	LED: yellow
934-888-041	GDM210A-C1U	C1	2+PE	black	10A 230V, AC/DC	RC-Glied/RC-element	-
934-888-042	GDM21FA-C2Y	C2	2+PE	transparent	10A 230V, AC/DC	RC-Glied/RC-element	LED: yellow
934-888-043	GDM210A-C3S	C3	2+PE	black	1A 120V, AC/DC	Varistor / Capacitor	-
934-888-044	GDM210A-C3U	C3	2+PE	black	1A 230V, AC/DC	Varistor / Capacitor	-
934-888-045	GDM21FA-C4Y	C4	2+PE	transparent	1A 230V, AC/DC	Varistor / Capacitor	LED: yellow
934-888-046	GDM210A-D1U	D1	2+PE	black	10A 230V, DC	Freilauf-/recoverydiode	-
934-888-047	GDM21FA-D24	D2	2+PE	transparent	10A 24V, DC	Freilauf-/recoverydiode	LED: yellow
934-888-048	GDM21FA-D28	D2	2+PE	transparent	10A 48V, DC	Freilauf-/recoverydiode	LED: yellow
934-888-049	GDM210A-D3U	D3	2+PE	black	1A 230V, AC/DC	-	-
934-888-050	GDM21FA-D44	D4	2+PE	transparent	1A 24V, AC/DC	-	LED: yellow
934-888-051	GDM21FA-D48	D4	2+PE	transparent	1A 48V, AC/DC	-	LED: yellow
934-888-052	GDM21FA-L12	L1	2+PE	transparent	10A 12V, AC/DC	-	LED: yellow
934-888-053	GDM21FA-L14	L1	2+PE	transparent	10A 24V, AC/DC	-	LED: yellow
934-888-054	GDM21FA-L18	L1	2+PE	transparent	10A 48V, AC/DC	-	LED: yellow
934-888-055	GDM21FA-L11	L1	2+PE	transparent	10A 120V, AC/DC	-	LED: yellow
934-888-056	GDM21FA-L1Y	L1	2+PE	transparent	10A 230V, AC/DC	-	LED: yellow
934-888-057	GDM31FA-P1J	P1	3+PE	transparent	10A 24V, DC	-	red/green
934-888-058	GDM31FA-P1N	P1	3+PE	transparent	10A 230V, DC	-	red/green
934-888-059	GDM31FA-P2J	P2	3+PE	transparent	10A 24V, DC	-	red/green
934-888-060	GDM31FA-P2N	P2	3+PE	transparent	10A 230V, DC	-	red/green
934-888-061	GDM210A-S1Q	S1	2+PE	black	10A 24V, AC/DC	Suppressordiode	-
934-888-062	GDM21FA-S22	S2	2+PE	transparent	10A 12V, AC/DC	Suppressordiode	LED: yellow
934-888-063	GDM21FA-S24	S2	2+PE	transparent	10A 24V, AC/DC	Suppressordiode	LED: yellow
934-888-064	GDM210A-S3Q	S3	2+PE	black	1A 24V, AC/DC	Suppressordiode	-
934-888-065	GDM21FA-S44	S4	2+PE	black	1A 24V, AC/DC	Suppressordiode	LED: yellow



Order No.	Type	Product Code	Coding	Color Housing	Current/Voltage Rating	Protective Circuit	Function Indicator
934-888-066	GDM21FA-S9Y	S9	2+PE	transparent	10A 12V-230V AC/DC	—	LED: yellow
934-888-067	GDM210A-V1Q	V1	2+PE	black	10A 24V, AC/DC	Varistor	
934-888-068	GDM210A-V1S	V1	2+PE	black	10A 120V, AC/DC	Varistor	
934-888-069	GDM210A-V1U	V1	2+PE	black	10A 230V, AC/DC	Varistor	
934-888-070	GDM21FA-V24	V2	2+PE	transparent	10A 24V, AC/DC	Varistor	LED: yellow
934-888-071	GDM21FA-V21	V2	2+PE	transparent	10A 120V, AC/DC	Varistor	LED: yellow
934-888-072	GDM21FA-V2Y	V2	2+PE	transparent	10A 230V, AC/DC	Varistor	LED: yellow
934-888-073	GDM210A-V3S	V3	2+PE	black	1A 120V, AC/DC	Varistor	
934-888-074	GDM210A-V3U	V3	2+PE	black	1A 230V, AC/DC	Varistor	
934-888-075	GDM21FA-V44	V4	2+PE	transparent	1A 24V, AC/DC	Varistor	LED: yellow
934-888-076	GDM21FA-V48	V4	2+PE	transparent	1A 48V, AC/DC	Varistor	LED: yellow

Circuit Diagrams by Product Code

Bridge Rectifier *		Protective Circuit		Function Indicator LED Yellow		Pressure Switch	
Without protective circuit	1A / 230V	With RC-element	10A / 230V	Without protective circuit	10A / 24V 48V 120V 230V	LED: red/green or green/yellow	10A / 24V 230V
Product Code	D3	Product Code	C1	Product Code	L1	Product Code	P1
with LED	D4	with LED	C2	with suppressor diode	10A / 24V	LED: red/green or green/yellow	10A / 24V 230V
With suppressor diode	1A / 24V	Suppressor diode	10A / 24V	With suppressor diode	10A / 24V		
Product Code	S3	Product Code	S1	Product Code	S2	Product Code	P2
with LED	S4	with LED	S1	with varistor	10A / 24V 48V 120V 230V	LED: red/green or green/yellow	10A / 24V 230V
With varistor	1A / 24V 48V 120V 230V	Varistor	10A / 24V 48V 120V 230V	With varistor	10A / 24V 48V 120V 230V		
Product Code	V3	Product Code	V1	Product Code	V2	Product Code	P3
with LED	V4	with LED	V1	with recovery diode	10A / 24V 48V 120V 230V	LED: red/green or green/yellow	10A / 24V 120V 230V
With varistor & capacitor	1A / 230V	Recovery diode	10A / 230V	Recovery diode	10A / 24V 48V 120V 230V		
Product Code	C3	Product Code	D1	Product Code	D2	Product Code	P4
with LED	C4	with LED	D1	with LED	D2	with LED	P4

* all bridge rectifiers optional with function indicator LED yellow
LED-color: red, green, blue on request