




Product information GSP 316 PG16 schwarz/black

Industrial Connecting Solutions:Rectangular Connectors:Valve Connectors (Type A -B -C):Type A:Appliance Connectors (DIN EN 175 301-803):GSP 316 PG16 schwarz/black

<https://www.e-catalog.beldensolutions.com:443/link/57078-24228-256261-256266-256270-276255-35190/en/conf/ulistate>

| | |
|---------------------------------|--|
| Name | GSP 316 PG16 schwarz/black |
| |  |
| | appliance connector with thread, appliance connector, threaded sleeve, grip ring, o-ring (NBR) |
| Delivery informations | |
| Availability | available |
| Product description | |
| Description | appliance connector with thread, appliance connector, threaded sleeve, grip ring, o-ring (NBR) |
| Type | GSP 316 PG16 schwarz/black |
| Order No. | 931 297-002 |
| Number of contacts | 3 + PE |
| Cable gland | PG 16 |
| Standard | DIN EN 175 301-803-A |
| Housing Color | black |
| Construction type | A |
| Technical data | |
| Rated voltage | AC/DC 400 V |
| Rated current | 16 A |
| Contact resistance | <= 4 mOhm |
| Type of termination | solder |
| Mounting | screw |
| Material | |
| Contact surface material | Sn |
| Contact bearer material | PA |
| Housing material | PA |
| Environmental conditions | |
| Protection class (IEC 60529) | IP 65 (gasket necessary) (mated) |
| Pollution severity | 3 |
| Temperature range | -40 °C to +125 °C |
| Inflammability class | |
| Contact bearer | 94 HB |
| Approvals | |
| VDE | VDE |
| SEV | SEV |
| Packing unit | |
| Packaging unit | 200 pieces |

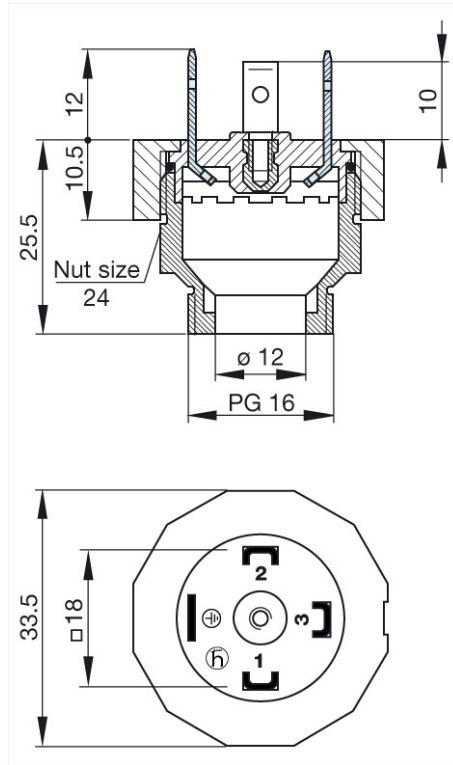


HIRSCHMANN

A BELDEN BRAND

Industrial Connecting Solutions:Rectangular Connectors:Valve Connectors (Type A - B - C):Type A:Appliance Connectors (DIN EN 175 301-803):GSP 316 PG16 schwarz/black
<https://www.e-catalog.beldensolutions.com:443/link/57078-24228-256261-256266-256270-276255-35190/en/conf/ui/state>

Picture
Drawing



Belden Deutschland GmbH
Im Gewerbepark 2
58579 Schalksmühle
Germany
Phone: +49 7127/14-1806
E-Mail: icos-sales@belden.com

The information published in the websites has been compiled as carefully as possible. It is subject to alteration without notice in technical as well as in price-related/commercial respect. The complete information and data were available on user documentation. Mandatory information can only be obtained by a concrete query.