

Overpressure protector, adjustable Model 910.13, brass or stainless steel

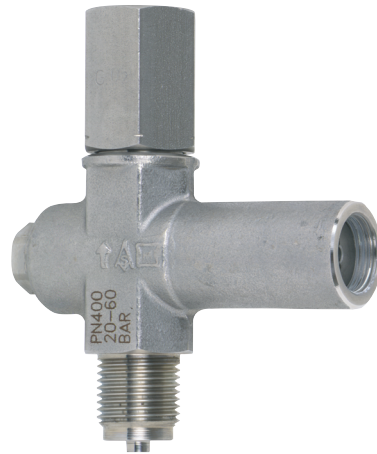
WIKA data sheet AC 09.04

Applications

- Protection against overpressures which occur beyond the scale range of the pressure measuring instrument
- Stainless steel version for aggressive media, also in aggressive environments
- Machine building, general plant construction, chemical industry, petrochemical industry, power plants, mining, on-/offshore and environmental technology

Special features

- Version with pressure connection thread in form A or form B
- 7 different setting ranges selectable
- Nominal pressures to 600 bar
- Overpressure safety up to 1,000 bar
- Vacuum protected



**Overpressure protector, adjustable, form A, LH-RH
union/male G ½ B**

Description

The overpressure protector for pressure measuring instruments is a piston valve. Through a helical spring, the outlet position is maintained until the pressure acting on the piston overcomes the back pressure of the spring, thus closing the valve.

Once the pressure drops below the closing pressure by approx. 25 %, the valve opens again and the piston returns to its rest position under the action of the spring force.

Factory setting

The closing pressure is set to half of the span of the respective setting range.

Set values for factory mounting

When mounted onto a pressure measuring instrument by WIKA, the overpressure protector is set to 1.1 times the full scale value of the pressure measuring instrument.

Setting the closing pressure

If the adjustment screw is turned clockwise, the spring force of the helical spring increases and, with it, the closing pressure. By turning the adjustment screw anti-clockwise, the closing pressure is reached at lower pressure values.

For the setting of the optimal closing pressure, the temperature at the measuring location must be taken into account.

This overpressure protector is not suitable for use as a controller or for control and regulation purposes.

Specifications

Process connection

Form A: LH-RH union/male, G ½ / G ½ B

Form B: Female/male, ½ NPT / ½ NPT

(see dimensions on page 3)

Valve body (wetted part)

Material: Brass (with LH-RH union from steel, rust-protected) or stainless steel (with LH-RH union from stainless steel 1.4571).

O-ring

Material: FPM

Load capacity

Wetted parts	Nominal pressure bar	Overpressure safety bar
Brass	PN 400	600
1.4571	PN 400/600	1,000

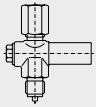
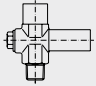
Permissible temperatures

+80 °C maximum

Other versions

- Other connection threads on request
- Higher permissible temperatures to +130 °C (from setting range 2 ... 6 bar)
- DVGW certificate (only with form A version)
- Acceptance test certificate per EN 10204 / DIN 55350 - 18
- Oil and grease free version in accordance with the footnotes in the following table
- Version in Monel
- Version per NACE

Ordering information

Version	Wetted parts	Order number						
Nominal pressure in bar		PN 400						PN 600
Setting range in bar		0.4 ... 2.5	2 ... 6	5 ... 25	20 ... 60	50 ... 250	240 ... 400	400 ... 600
Factory setting in bar		1.45	4	15	40	150	320	500
Form A 	Brass	9091645	9091653	9091661	9091670	9091688	9091696	–
	1.4571	9091513	9091521	9091530	9091548	9091556	9091564	2491546
	1.4571 OEF	9091335 ¹⁾	9091343 ¹⁾	9091351 ¹⁾	9091378 ²⁾	–	–	–
Form B 	1.4571	9091963	9091971	9091980	0690600	0690619	1615130	–

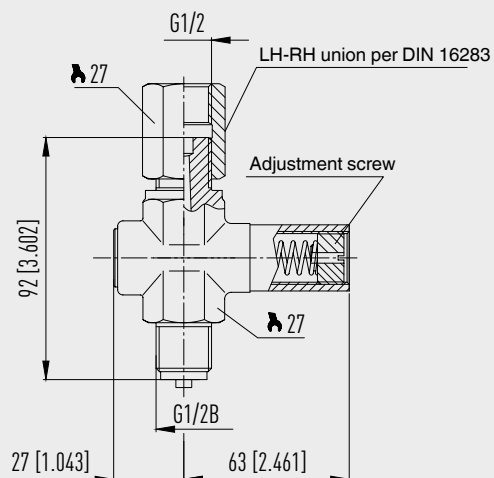
OEF Oil and grease free version

1) Oil and grease free for oxygen service to max. 60 °C

2) Oil and grease free for oxygen service to max. 60 °C, however setting range only 20 ... 49 bar

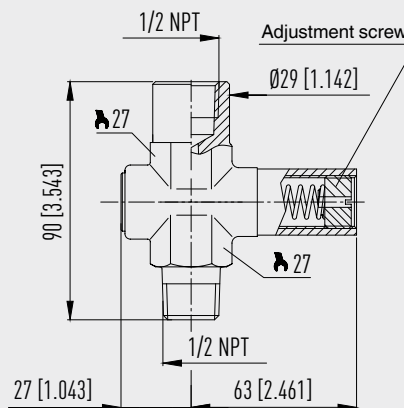
Dimensions in mm [in]

Form A, LH-RH union/male



1035399.03

Form B, female/male



1318497.04

Ordering information

To order the described product the order number is sufficient. Other versions require additional specification.

© 03/2003 WIKA Alexander Wiegand SE & Co. KG, all rights reserved.
The specifications given in this document represent the state of engineering at the time of publishing.
We reserve the right to make modifications to the specifications and materials.

