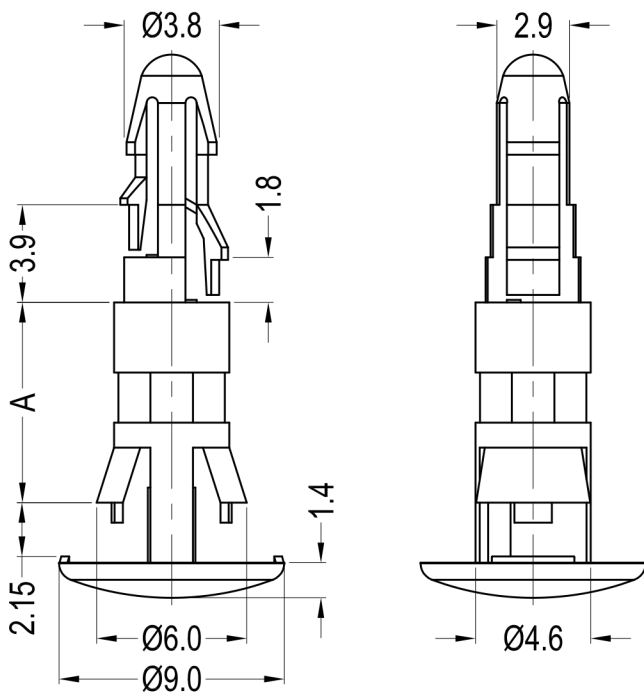


Notes:

- 1. Material: PA66 UL94 V2;
- 2. Color: Black;
- 3. RoHS Compliant.

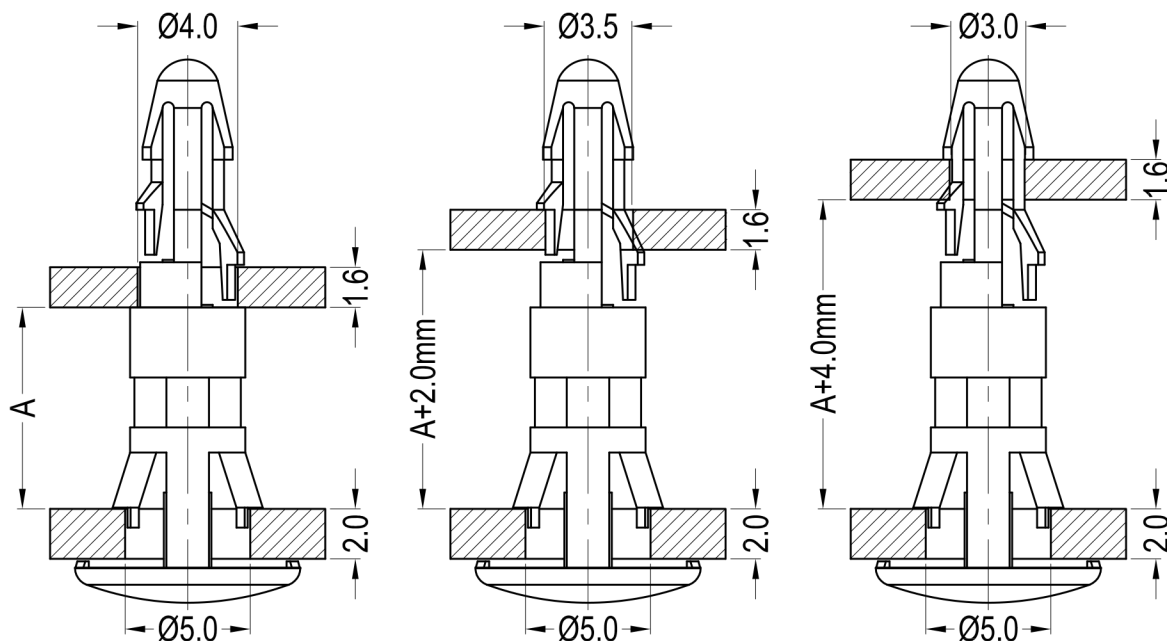


| Part No. | Part Name | A |
|----------|-------------|------|
| 42565 | 8GG01V42565 | 6.0 |
| 42566 | 8GG01V42566 | 7.0 |
| 42567 | 8GG01V42567 | 8.0 |
| 42568 | 8GG01V42568 | 9.0 |
| 42569 | 8GG01V42569 | 10.0 |
| 42570 | 8GG01V42570 | 11.0 |
| 42571 | 8GG01V42571 | 12.0 |
| 42572 | 8GG01V42572 | 13.0 |
| 42573 | 8GG01V42573 | 14.0 |
| 42574 | 8GG01V42574 | 15.0 |
| 42575 | 8GG01V42575 | 16.0 |
| 42576 | 8GG01V42576 | 17.0 |
| 42577 | 8GG01V42577 | 18.0 |
| 42578 | 8GG01V42578 | 19.0 |
| 42579 | 8GG01V42579 | 20.0 |

Top Hole: $\text{Ø}4.0 \pm 0.08\text{mm}$
Panel Thickness: 1.6mm

Top Hole: $\text{Ø}3.5 \pm 0.08\text{mm}$
Panel Thickness: 1.6mm

Top Hole: $\text{Ø}3.0 \pm 0.08\text{mm}$
Panel Thickness: 1.6mm



Bottom Hole: $\text{Ø}5.0 \pm 0.08\text{mm}$
Panel Thickness: 2.0mm.

DREMEC Befestigungselemente GmbH

DATE

2020.03.22

DIMENSION

TOLERANCE

TITLE REVERSE LOCKING CIRCUIT BOARD SUPPORT

SCALE

FIT

$L \leq 4$

± 0.10

PART NAME 8GG01V42565 MOLD NO. S0911 DRAW PLK UNIT MM

MM

$4 < L \leq 15$

± 0.20

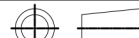
PART NO. SEE TABLE MATERIAL SEE NOTES DESIGN PLK VERSION A0

A0

$15 < L \leq 50$

± 0.30

DWG NO. E4299 COLOR SEE NOTES APPROVAL FDL VIEW



$50 < L \leq 100$

± 0.40