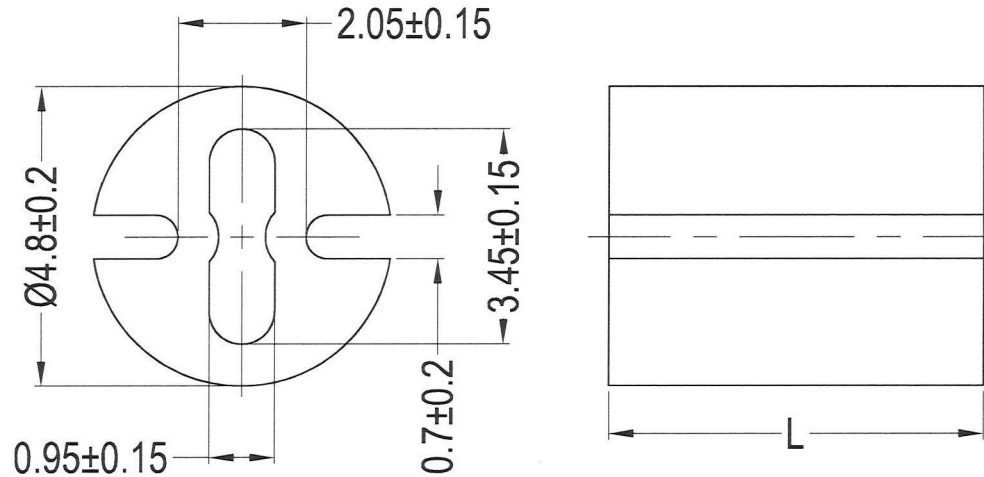


Part No.	Part Name	L	Fits LED
8GE04V80549		2.0	
8GE04V80548		4.0	
8GE04V80550		9.0	
8GE04V80551		11.0	
8GE04V80552		14.0	
8GE04V80553		15.0	
8GE04V80554		16.0	
8GE04V80535		18.0	
8GE04V80536		19.0	
8GE04V80537		20.0	
8GE04V80538		21.0	
8GE04V80539		22.0	
8GE04V80540		23.0	
8GE04V80541		24.0	
8GE04V80542		25.0	
8GE04V80543		26.0	
8GE04V80544		27.0	
8GE04V80545		28.0	
8GE04V80546		29.0	
8GE04V80547		30.0	



Notes:

1. Material: PVC Flame Retardant;
2. Color: Black;
3. RoHS Compliant;

						DATE	2015-8-18	DIMENSION	L ≤ 4	TOLERANCE	±0.10
TITLE	HIGH TEMPERATURE METRIC LED SPACER					SCALE	FIT		L ≤ 4		±0.10
PART NAME		MOLD NO.		DRAW	ZHR	UNIT	MM	4 < L ≤ 15		±0.20	
PART NO.	SEE TABLE	MATERIAL	SEE NOTES	DESIGN	ZHR	VERSION	A0	15 < L ≤ 50		±0.30	
DWG NO.		COLOR	SEE NOTES	APPROVAL	FDL	VIEW		50 < L ≤ 100		±0.40	