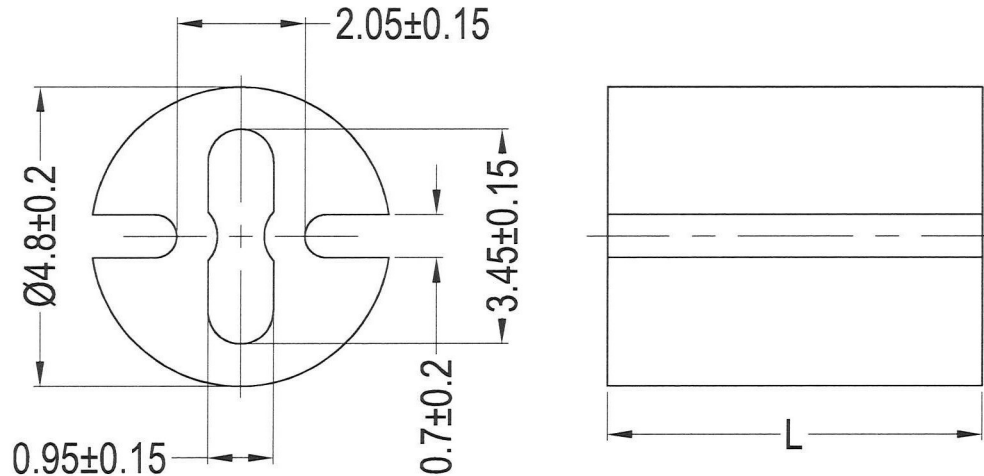


Part No.	Part Name	L	Fits LED
----------	-----------	---	----------

8GE04V80398	6.5
--------------------	-----

T-1(3mm)



Notes:

1. Material: PVC Flame Retardant;
2. Color: Black;
3. RoHS Compliant;

						DATE	2015-8-18	DIMENSION		TOLERANCE	
TITLE	HIGH TEMPERATURE METRIC LED SPACER					SCALE	FIT	L ≤ 4	±0.10		
PART NAME		MOLD NO.		DRAW	ZHR	UNIT	MM	4 < L ≤ 15	±0.20		
PART NO.	SEE TABLE	MATERIAL	SEE NOTES	DESIGN	ZHR	VERSION	A0	15 < L ≤ 50	±0.30		
DWG NO.		COLOR	SEE NOTES	APPROVAL	FDL	VIEW		50 < L ≤ 100	±0.40		