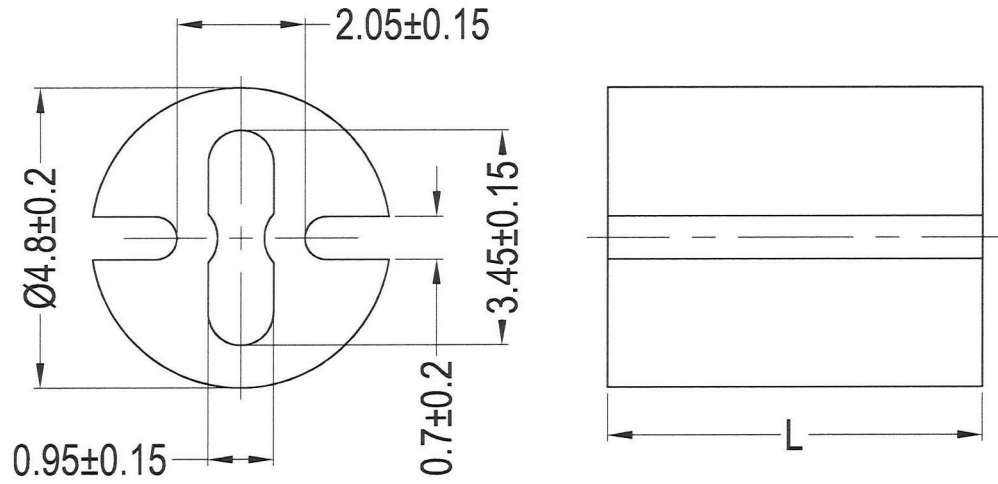


Part No.	Part Name	L	Fits LED
<b>8GE04V80349</b>		2.0	



T-1(3mm)

- Notes:
1. Material: PVC Flame Retardant;
  2. Color: Black;
  3. RoHS Compliant;

						DATE	2015-8-18	DIMENSION	TOLERANCE
TITLE	HIGH TEMPERATURE METRIC LED SPACER					SCALE	FIT	L ≤ 4	±0.10
PART NAME		MOLD NO.		DRAW	ZHR	UNIT	MM	4 < L ≤ 15	±0.20
PART NO.	SEE TABLE	MATERIAL	SEE NOTES	DESIGN	ZHR	VERSION	A0	15 < L ≤ 50	±0.30
DWG NO.		COLOR	SEE NOTES	APPROVAL	FDL	VIEW		50 < L ≤ 100	±0.40