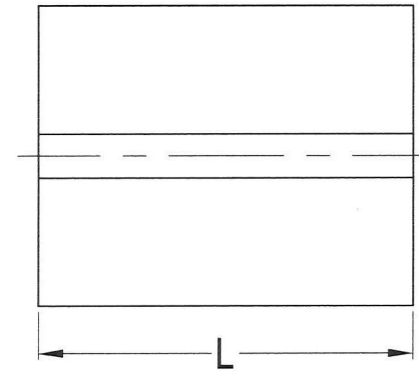
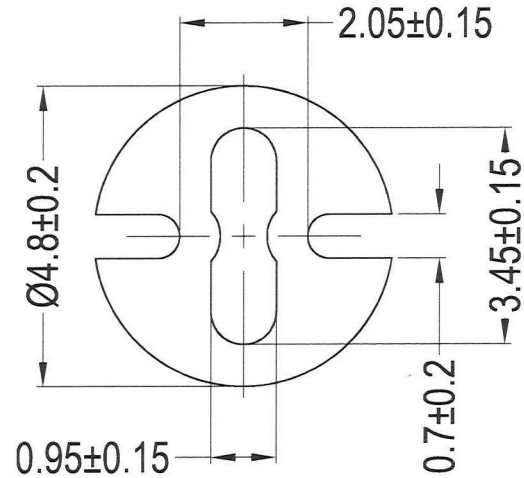


Part No.	Part Name	L	Fits LED
----------	-----------	---	----------



T-1(3mm)

8GE04V80260 17.0

Notes:

- 1.Material:PVC Flame Retardant;
- 2.Color:Black;
- 3.RoHS Compliant;

						DATE	2015-8-18	DIMENSION	TOLERANCE
TITLE	HIGH TEMPERATURE METRIC LED SPACER					SCALE	FIT	L ≤ 4	±0.10
PART NAME		MOLD NO.		DRAW	ZHR	UNIT	MM	4 < L ≤ 15	±0.20
PART NO.	SEE TABLE	MATERIAL	SEE NOTES	DESIGN	ZHR	VERSION	A0	15 < L ≤ 50	±0.30
DWG NO.		COLOR	SEE NOTES	APPROVAL	FDL	VIEW		50 < L ≤ 100	±0.40