

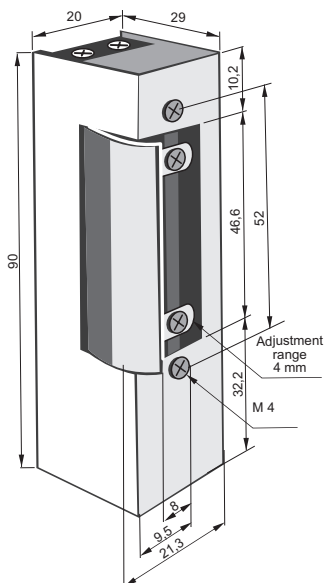
ADJUSTABLE



FEATURES

- ✓ Reversible (left and right hand).
- ✓ Unsymmetrical.
- ✓ Height 90 mm., width 20 mm.
- ✓ Fail-secure (NC) and fail-safe (NO) models.
- ✓ Assembling screws distance - 52 mm.
- ✓ Latch adjustment - 4 mm.
- ✓ Power supply: 12-24 V AC / DC.
- ✓ Low power consumption.
- ✓ Optionally manual release lever, internal automatism (hold - open).
- ✓ Durability: grade C - 200,000 cycles.
- ✓ Category of use - grade 3 - suitable for public buildings.
- ✓ Certificate of Conformity acc. to EN 14846.

TECHNICAL DATA



Model	Rel.lever	Hold-Open	NO
812			
822	<input checked="" type="checkbox"/>		
834		<input checked="" type="checkbox"/>	
844	<input checked="" type="checkbox"/>	<input checked="" type="checkbox"/>	
811			<input checked="" type="checkbox"/>

Power supply (V)	12-24V AC/DC	12V DC NO	24V DC NO
Tolerance (%)	± 5 %		
Continuous work	< 1 min.	100 %	100 %
Resistance (Ω)	23	60	150
Power consumption DC (mA)	12V / 500 24V / 1000	12V / 200 -	24V / 160 -
Power consumption AC (mA)	12V / 450 24V / 900	-	-
Max preload DC (N)	10	10	10
Max preload AC (N)	90	-	-

Recommended front plates: 900, 901, 902, 903, 913