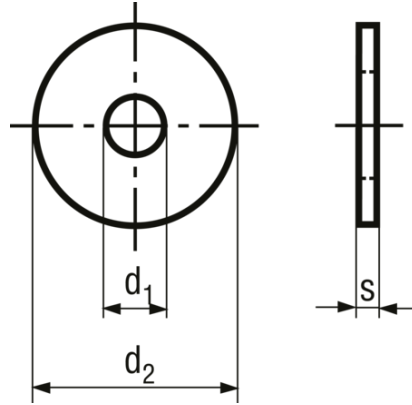


Flat washers without chamfer series L (large)

BN 84513



Material	Steel
Surface	plain
Hardness	160 HV
Standard	~NFE 25-514 L (Standard withdrawn)

Article no	for thread	d1	d2	s
8016577	M3	3.2	12	0.8
8016658	M4	4.3	14	0.8
8016666	M5	5.3	16	1
8016674	M6	6.4	18	1.2
8016690	M8	8.4	22	1.5
8016712	M10	10.5	27	2
8016739	M12	13	32	2.5
8016755	M16	17	40	3
8016763	(M18)	19	45	3
8016771	M20	21	50	3