

## Dot laser, red, 650 nm, 1 mW

DC650-1-4.5(14x64)-S-AP  
Order Number: 70116076

Main Parameters (*)	min	typ	max	Unit
Wavelength		650		nm
Optical Output Power		1		mW
Operating Voltage		4.5		V DC
Operating Current	10	20	30	mA
Operating Temperature	-20		50	°C
Storage Temperature	-40		80	°C

### Main Data

Warranty 1 years

### Technical Parameters

Lifetime > 5,000 h  
RoHS yes

### Optical Parameters

Beam Shape	Dot
Laser Class	2
Divergence	C - 0.4 mrad
Beam Diameter	3 mm
Size of Laserdot	<3mm@5m
Operating Distance	5 m
Optics	glass lens AR coated
Laser technology	Single Mode Diode
Axial Divergence	± 0.6 °
Focus	fixed (5.0m)

### Electrical Parameters

Potential of Housing VDD(+)

### Mechanical Parameters

Size	Ø14x64 mm
Material	aluminium
Output Aperture	3.5 mm
Housing Color	black
Weight	21 g

(\*) Over the complete operating temperature range

## Features

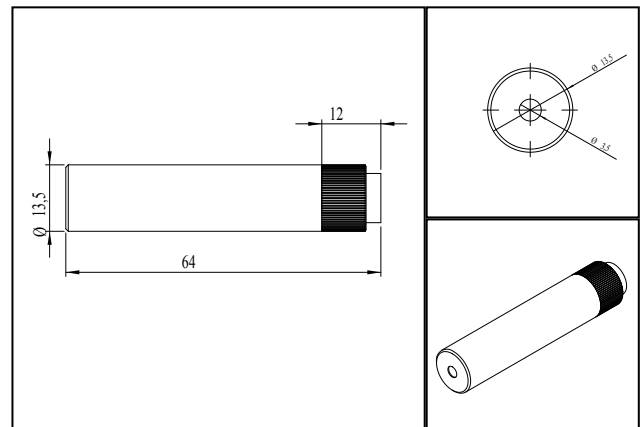


- Axial parallel
- With battery
- Glas lenses anti reflex coated
- Compact size
- Laser Class 2

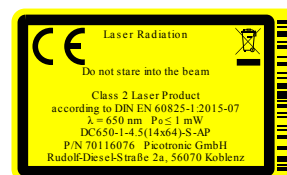
## Picture



## Drawing



## Safety Label



## Valid Revision

10 | 28-JUN-2022