

Dot laser, red, 650 nm, 1 mW

LFD650-1-3(6x17)
Order Number: 70115864

Main Parameters (*)	min	typ	max	Unit
Wavelength		650		nm
Optical Diode Power		1		mW
Operating Voltage	2.7	3	3.3	V DC
Operating Current	5	10	15	mA
Operating Temperature	-20		40	°C
Storage Temperature	-40		80	°C

Main Data

Warranty 1 years

Technical Parameters

Lifetime > 3,000 h
RoHS yes

Optical Parameters

Beam Shape Dot
Laser Class 2
Divergence H - 1.0 mrad
Beam Diameter 3 mm
Size of Laserdot <8mm@10m
Operating Distance 10 m
Optics acryl lense
Laser technology Single Mode Diode
Focus collimated

Electrical Parameters

Potential of Housing VDD(+)
Power Supply LFNT-3

Mechanical Parameters

Size Ø6x17 mm
Material Brass
Cable length 70 mm
Wire type Belden, Typ 1007, 26AWG
Output Aperture 3 mm
Weight 2 g

(*) Over the complete operating temperature range

Features

- Operating Voltage 3 V DC

- Laser Class 2
- Low power consumption
- Compact size
- Low cost

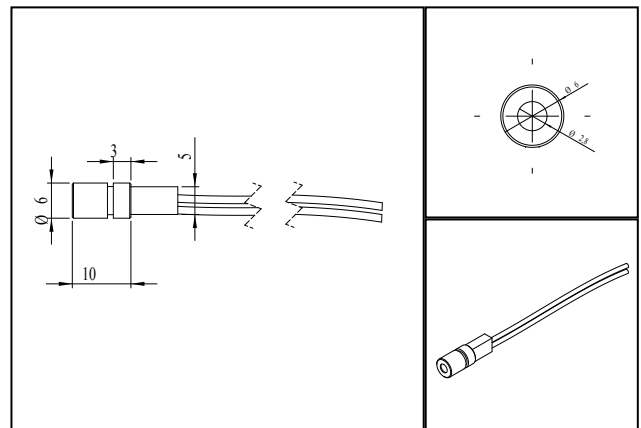
Picture



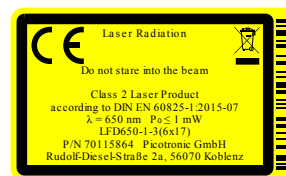
Cable color

Ground		black	GND
Positive		red	2.7 - 3.3, typ 3 V DC

Drawing



Safety Label



Valid Revision

1 | 10-MAY-2022