

Line laser, red, 650 nm, 90°, 5 mW

LFL650-5-12(9x20)90-F250
Order Number: 70109986

Main Parameters (*)	min	typ	max	Unit
Wavelength		650		nm
Optical Diode Power	2	5	5	mW
Operating Voltage	3	3	12	V DC
Operating Current		20		mA
Operating Temperature	-20		40	°C
Storage Temperature	-40		80	°C

Main Data

Warranty 1 years

Technical Parameters

Lifetime > 3,000 h
RoHS yes

Optical Parameters

Beam Shape Line
Laser Class 1
Divergence H - 1.0 mrad
Fan Angle 90°
Line Thickness <1mm@0.25m
Operating Distance 0.25 m
Optics acryl lense
Laser technology diode
Focus fixed (250mm)

Electrical Parameters

Power Supply LFNT-5

Mechanical Parameters



Size Ø9x20 mm
Material Brass
Cable length 100 mm
Wire type 26AWG, 0,14mm²
Output Aperture 6 mm
Weight 6 g

(*) Over the complete operating temperature range

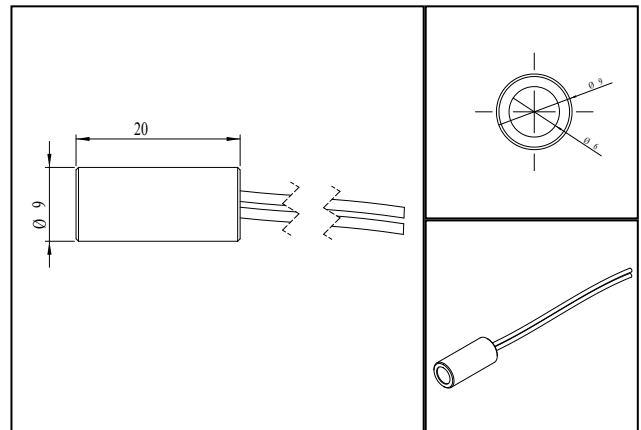
Picture



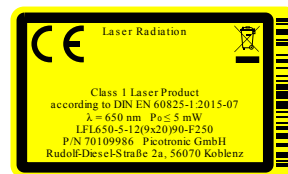
Cable color

Ground		black	GND
Positive		red	3 - 12, typ 3 V DC

Drawing



Safety Label



Valid Revision

13 | 10-MAY-2023