

## Dot laser, red, 650 nm, 0.4 mW

LFD650-0.4-12(9x20)  
Order Number: 70108507

Main Parameters (*)	min	typ	max	Unit
Wavelength		650		nm
Optical Diode Power	0.2	0.4	0.4	mW
Operating Voltage	3	3	12	V DC
Operating Current	5	15	25	mA
Operating Temperature	-20		40	°C
Storage Temperature	-40		80	°C

### Main Data

Warranty 1 years

### Technical Parameters

Lifetime > 3,000 h  
RoHS yes

### Optical Parameters

Beam Shape Dot  
Laser Class 1  
Divergence H - 1.0 mrad  
Beam Diameter 3 mm  
Size of Laserdot <4..5mm@5m  
Operating Distance 10 m  
Optics acryl lense  
Laser technology diode  
Focus collimated

### Electrical Parameters

Power Supply LFNT-3

### Mechanical Parameters

Size Ø9x20 mm  
Material Brass  
Cable length 100 mm  
Wire type 26AWG, 0,14mm<sup>2</sup>  
Output Aperture 3 mm  
Weight 6 g

(\*) Over the complete operating temperature range

### Features



- Compact size

- Laser Class 1
- Low power consumption
- Operating Voltage 3-12V DC
- Low cost

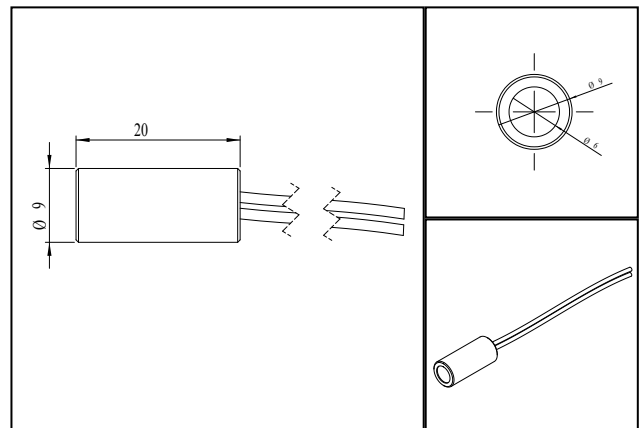
### Picture



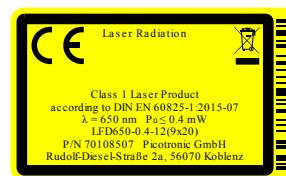
### Cable color

Ground		black	GND
Positive		red	3 - 12, typ 3 V DC

### Drawing



### Safety Label



### Valid Revision

13 | 06-MAY-2022