

## Dot laser, red, 635 nm, 1 mW

DD635-1-5(12x25)  
Order Number: 70107586

Main Parameters (*)	min	typ	max	Unit
Wavelength		635		nm
Optical Output Power		1		mW
Operating Voltage	4.5	5	5.5	V DC
Operating Current	15	31	45	mA
Operating Temperature	-20		50	°C
Storage Temperature	-40		80	°C

### Main Data

Warranty 1 years

### Technical Parameters

Lifetime > 5,000 h  
RoHS yes

### Optical Parameters

Beam Shape Dot  
Laser Class 2  
Divergence D - 0.5 mrad  
Beam Diameter 5 mm  
Size of Laserdot <2..3mm@5m  
Operating Distance 50 m  
Optics glass lens AR coated  
Laser technology Single Mode Diode  
Focus collimated

### Electrical Parameters

Potential of Housing isolated  
Power Supply LFNT-5

### Mechanical Parameters

Size Ø12x25 mm  
Material aluminium  
Cable length 100 mm  
Wire type Belden, Typ 1007, 26AWG  
Output Aperture 5 mm  
Housing Color black  
Weight 7 g  
Stripping of wire 5 mm

(\*) Over the complete operating temperature range

### Features




- Compact size
- Laser Class 2
- Operating Voltage 5 V DC
- Glass lenses anti reflex coated
- Image processing

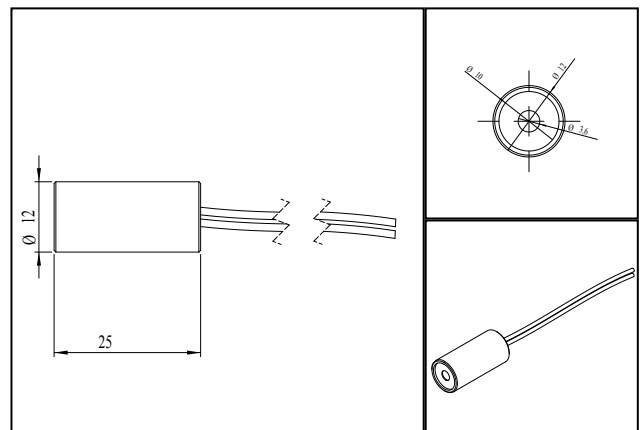
### Picture



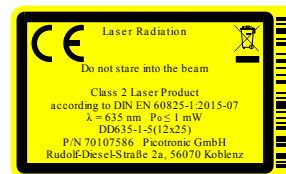
### Cable color

Ground		black	GND
Positive		red	4.5 - 5.5, typ 5 V DC

### Drawing



### Safety Label



### Valid Revision

11 | 21-APR-2021