

Dot laser, red, 650 nm, 1 mW

DI650-1-5(8x21)-ADJ
Order Number: 70106398

Main Parameters (*)	min	typ	max	Unit
Wavelength		650		nm
Optical Output Power		1		mW
Operating Voltage	3	5	5.5	V DC
Operating Current	10	22	35	mA
Operating Temperature	-20		50	°C
Storage Temperature	-40		80	°C

Main Data

Warranty 1 years

Technical Parameters

Lifetime > 5,000 h
RoHS yes

Optical Parameters

Beam Shape Dot
Laser Class 2
Divergence 1 - 1.5 mrad
Size of Laserdot adjustable
Operating Distance 10 m
Optics glass lens AR coated
Laser technology Single Mode Diode
Focus adjustable

Electrical Parameters

Potential of Housing isolated
Power Supply LFNT-5

Mechanical Parameters

Size Ø8x21 mm
Material aluminium
Cable length 100 mm
Output Aperture 2 mm
Housing Color black
Weight 3 g
Stripping of wire 5 mm

(*) Over the complete operating temperature range

Features





- Operating Voltage 5 V DC
- Laser Class 2
- Image processing
- Adjustable focus
- Compact size

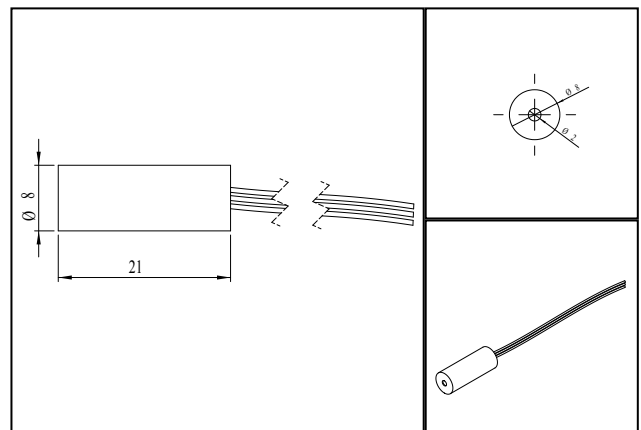
Picture



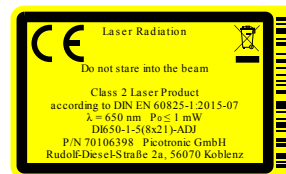
Cable color

Ground		green	GND
Positive		red	3 - 5.5, typ 5 V DC

Drawing



Safety Label



Valid Revision

7 | 12-AUG-2021