

Dot laser, red, 650 nm, 1 mW

DI650-1-3(9x21)-F1000-AP
Order Number: 70106206

Main Parameters (*)	min	typ	max	Unit
Wavelength		650		nm
Optical Output Power		1		mW
Operating Voltage	2.7	3	3.3	V DC
Operating Current	10	20	30	mA
Operating Temperature	-20		50	°C
Storage Temperature	-40		80	°C

Main Data

Warranty 1 years

Technical Parameters

Lifetime	> 5,000 h
RoHS	yes

Optical Parameters

Beam Shape	Dot
Laser Class	2
Divergence	1 - 1.5 mrad
Beam Diameter	2 mm
Size of Laserdot	<1.5mm@1m
Operating Distance	1 m
Optics	glass lens AR coated
Laser technology	Single Mode Diode
Axial Divergence	± 0.1 °
Focus	fixed (1000mm)

Electrical Parameters

Power Supply	LFNT-3
--------------	--------

Mechanical Parameters

Size	Ø9x21 mm
Material	aluminium
Cable length	100 mm
Wire type	26AWG, 0,14mm ²
Output Aperture	2 mm
Housing Color	silver
Weight	3.5 g
Stripping of wire	10 mm

(*) Over the complete operating temperature range

Features




- Axial parallel
- Glas lenses anti reflex coated
- Small package
- Operating Voltage 3 V DC
- Laser Class 2

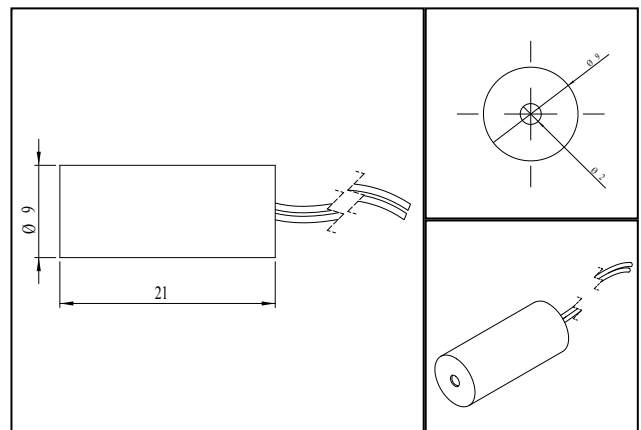
Picture



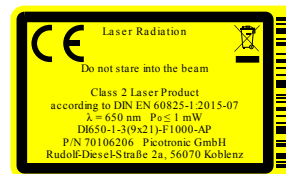
Cable color

Ground		blue	GND
Positive		red	2.7 - 3.3, typ 3 V DC

Drawing



Safety Label



Valid Revision

5 | 28-MAR-2019