

Dot laser, red, 650 nm, 0.4 mW

DI650-0.4-5(8x21)
Order Number: 70105803

Main Parameters (*)	min	typ	max	Unit
Wavelength		650		nm
Optical Output Power		0.4		mW
Operating Voltage	4.5	5	5.5	V DC
Operating Current	10	20	35	mA
Operating Temperature	-20		50	°C
Storage Temperature	-40		80	°C

Main Data

Warranty 1 years

Technical Parameters

Lifetime > 5,000 h
RoHS yes

Optical Parameters

Beam Shape Dot
Laser Class 1
Divergence 1 - 1.5 mrad
Beam Diameter 2 mm
Size of Laserdot <3.5mm@5m
Operating Distance 10 m
Optics glass lens AR coated
Laser technology Single Mode Diode
Focus collimated

Electrical Parameters

Potential of Housing isolated

Mechanical Parameters

Size Ø8x21 mm
Material aluminium
Cable length 100 mm
Wire type 26AWG, 0,14mm²
Output Aperture 2 mm
Housing Color black
Weight 1.5 g
Stripping of wire 5 mm

(*) Over the complete operating temperature range

Features




- Operating Voltage 5 V DC
- Laser Class 1
- Low power consumption
- Compact size
- Fixed focus

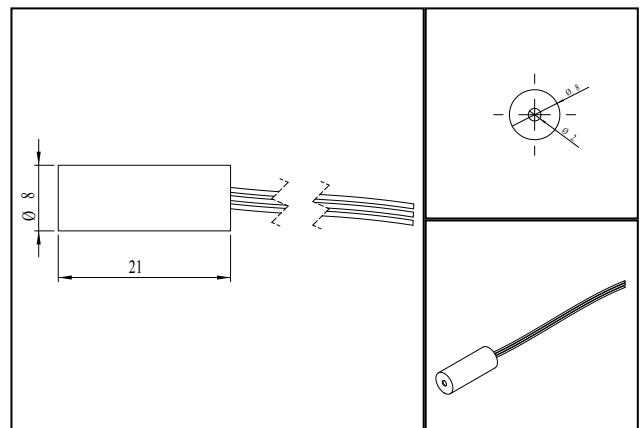
Picture



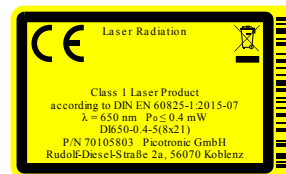
Cable color

Ground		green	GND
Positive		red	4.5 - 5.5, typ 5 V DC

Drawing



Safety Label



Valid Revision

5 | 12-AUG-2021