

## Line laser, red, 650 nm, 60 °, 5 mW

LFL650-5-12(9x20)60  
Order Number: 70105094

Main Parameters (*)	min	typ	max	Unit
Wavelength		650		nm
Optical Diode Power	2	5	5	mW
Operating Voltage	3	3	12	V DC
Operating Current	10	20	30	mA
Operating Temperature	-20		40	°C
Storage Temperature	-40		80	°C

### Main Data

Warranty 1 years

### Technical Parameters

Lifetime > 3,000 h  
RoHS yes

### Optical Parameters

Beam Shape Line  
Laser Class 1  
Divergence H - 1.0 mrad  
Fan Angle 60 °  
Line Thickness <1.2mm@1m  
Operating Distance 1 m  
Optics acryl lense  
Laser technology diode  
Focus fixed (1000mm)

### Electrical Parameters

Potential of Housing VDD(+)  
Power Supply LFNT-3

### Mechanical Parameters



Size Ø9x20 mm  
Material Brass  
Cable length 100 mm  
Wire type 26AWG, 0,14mm<sup>2</sup>  
Output Aperture 6 mm  
Weight 6 g

(\*) Over the complete operating temperature range

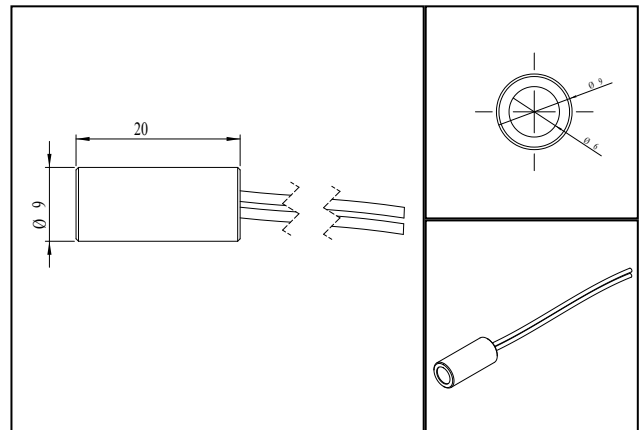
### Picture



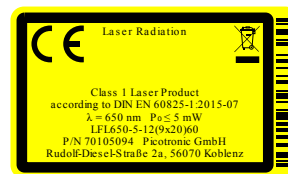
### Cable color

Ground  black GND  
Positive  red 3 - 12, typ 3 V DC

### Drawing



### Safety Label



### Valid Revision

1 | 06-APR-2023