

Line laser, red, 650 nm, 90 °, 5 mW

LFL650-5-4.5(15x67)90
Order Number: 70105025

- Laser Class 1
- With battery
- Compact size
- Uniform line thickness
- Low cost

Main Parameters (*)	min	typ	max	Unit
Wavelength		650		nm
Optical Diode Power		5		mW
Operating Voltage	3	3	4.5	V DC
Operating Current		20		mA
Operating Temperature	-20		40	°C
Storage Temperature	-40		80	°C

Main Data

Warranty 1 years

Technical Parameters

Lifetime > 3,000 h
RoHS yes

Optical Parameters

Beam Shape	Line
Laser Class	1
Divergence	H - 1.0 mrad
Fan Angle	90 °
Line Thickness	<1.2mm@1m
Operating Distance	1 m
Optics	acryl lense
Laser technology	diode
Focus	fixed (1000mm)

Electrical Parameters

Potential of Housing VDD(+)

Mechanical Parameters

Size	Ø15x67 mm
Material	aluminium
Output Aperture	6 mm
Weight	25 g

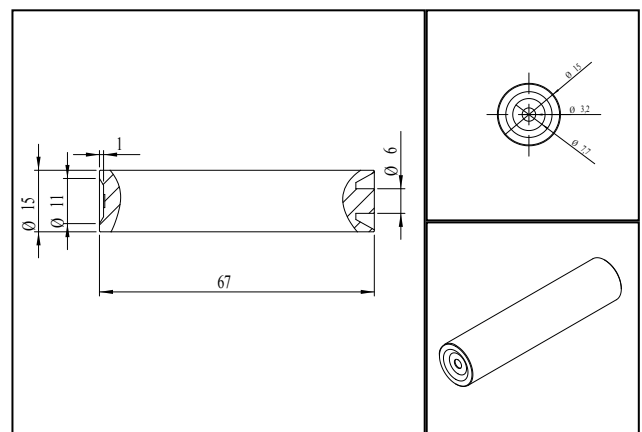
(*) Over the complete operating temperature range

Features

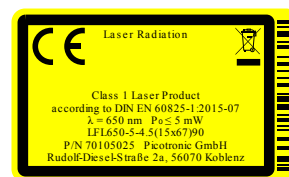
Picture



Drawing



Safety Label



Valid Revision

26 | 23-MAY-2022