

## Line laser, red, 650 nm, 90 °, 5 mW

LFL650-5-12(9x20)90  
Order Number: 70104011

Main Parameters (*)	min	typ	max	Unit
Wavelength		650		nm
Optical Diode Power	2	5	5	mW
Operating Voltage	3		12	V DC
Operating Current	10	15	25	mA
Operating Temperature	-20		40	°C
Storage Temperature	-40		80	°C

### Main Data

Warranty 1 years

### Technical Parameters

Lifetime > 3,000 h  
RoHS yes

### Optical Parameters

Beam Shape Line  
Laser Class 1  
Divergence H - 1.0 mrad  
Fan Angle 90 °  
Line Thickness <1.2mm@1m  
Operating Distance 1 m  
Optics acryl lense  
Laser technology diode  
Focus fixed (1000mm)

### Electrical Parameters

Power Supply LFNT-3

### Mechanical Parameters

Size Ø9x20 mm  
Material Brass  
Cable length 100 mm  
Wire type 26AWG, 0,14mm<sup>2</sup>  
Output Aperture 6 mm  
Weight 6 g  
Stripping of wire 5 mm

(\*) Over the complete operating temperature range



### Features

- Laser Class 1
- Operating Voltage 3-12V DC
- Uniform line thickness
- Low cost

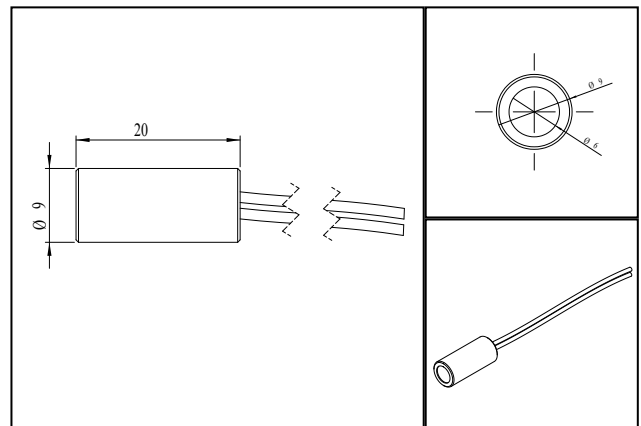
### Picture



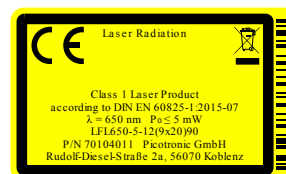
### Cable color

Ground  black GND  
Positive  red 3 - 12 V DC

### Drawing



### Safety Label



### Valid Revision

12 | 24-AUG-2023