

## Dot laser, red, 650 nm, 1 mW

DI650-1-3(8x21)  
Order Number: 70100594

Main Parameters (*)	min	typ	max	Unit
Wavelength		650		nm
Optical Output Power		1		mW
Operating Voltage	2.7	3	3.3	V DC
Operating Current	20	30	40	mA
Operating Temperature	-20		50	°C
Storage Temperature	-40		80	°C

### Main Data

Warranty 1 years

### Technical Parameters

Lifetime > 10,000 h  
RoHS yes

### Optical Parameters

Beam Shape Dot  
Laser Class 2  
Divergence 1 - 1.5 mrad  
Beam Diameter 2 mm  
Size of Laserdot <3.5mm@5m  
Operating Distance 10 m  
Optics glass lens AR coated  
Laser technology diode  
Focus collimated  
Luminous transmittance 0.00 %

### Electrical Parameters

Potential of Housing isolated

### Mechanical Parameters

Size Ø8x21 mm  
Material aluminium  
Cable length 100 mm  
Output Aperture 2 mm  
Housing Color black  
Weight 3 g

(\*) Over the complete operating temperature range

### Features





- Operating Voltage 3 V DC
- Compact size
- Laser Class 2
- Image processing
- Fixed focus

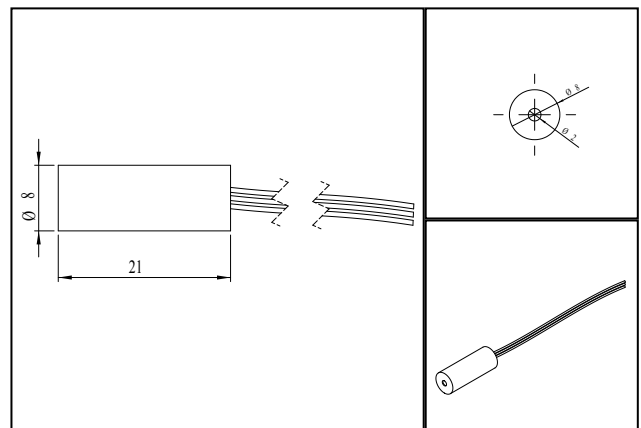
### Picture



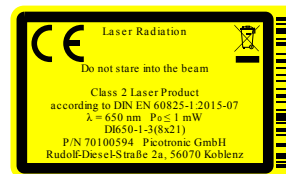
### Cable color

Ground		blue	GND
Positive		red	2.7 - 3.3, typ 3 V DC

### Drawing



### Safety Label



### Valid Revision

15 | 05-MAY-2023