

## Data Sheet

### Power Socket with clamp sleeve green illuminated

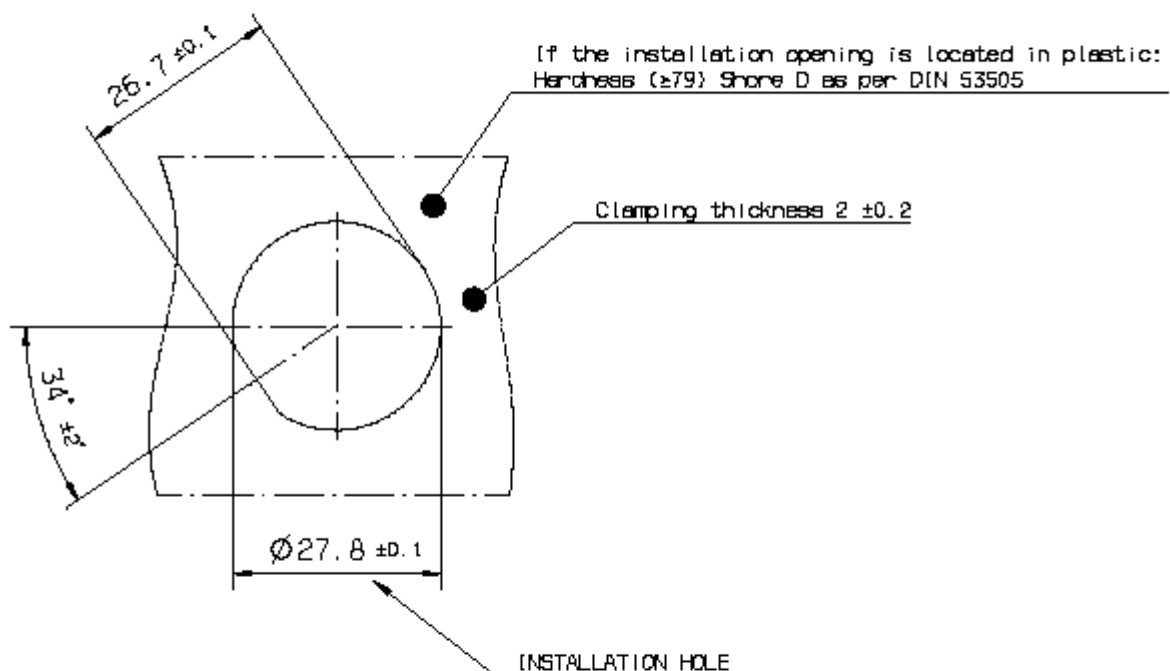
Item-No. 68040765 (BP)

Item-No. 68140765 (SP)

22.09.2021

|                     |  |
|---------------------|--|
| Input Voltage:      | 12 V DC  |
| Max. Current Load:  | max. 20 A based on a cable cross section<br>2 x 2.5 mm <sup>2</sup><br><br>max. 16 A based on a cable cross section<br>2 x 1.5 mm <sup>2</sup> |
| Terminal:           | 6.3 mm flat plug<br>4,8 mm flat plug (+ illumination)  |
| Installation hole : | 27.8 mm (28 mm)  |
| Internal Ø:         | 21 mm  |
| Clamp sleeve:       | green, illuminated   |

#### Installation opening



## Data Sheet

### Power Socket with clamp sleeve green illuminated

Item-No. 68040765 (BP)

Item-No. 68140765 (SP)

22.09.2021

