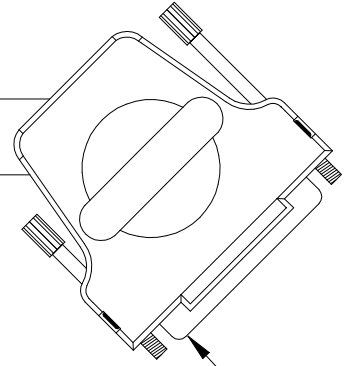
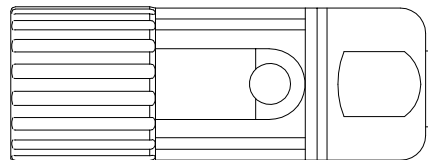


1                      2                      3                      4                      5                      6                      7                      8

Ziel

Quelle



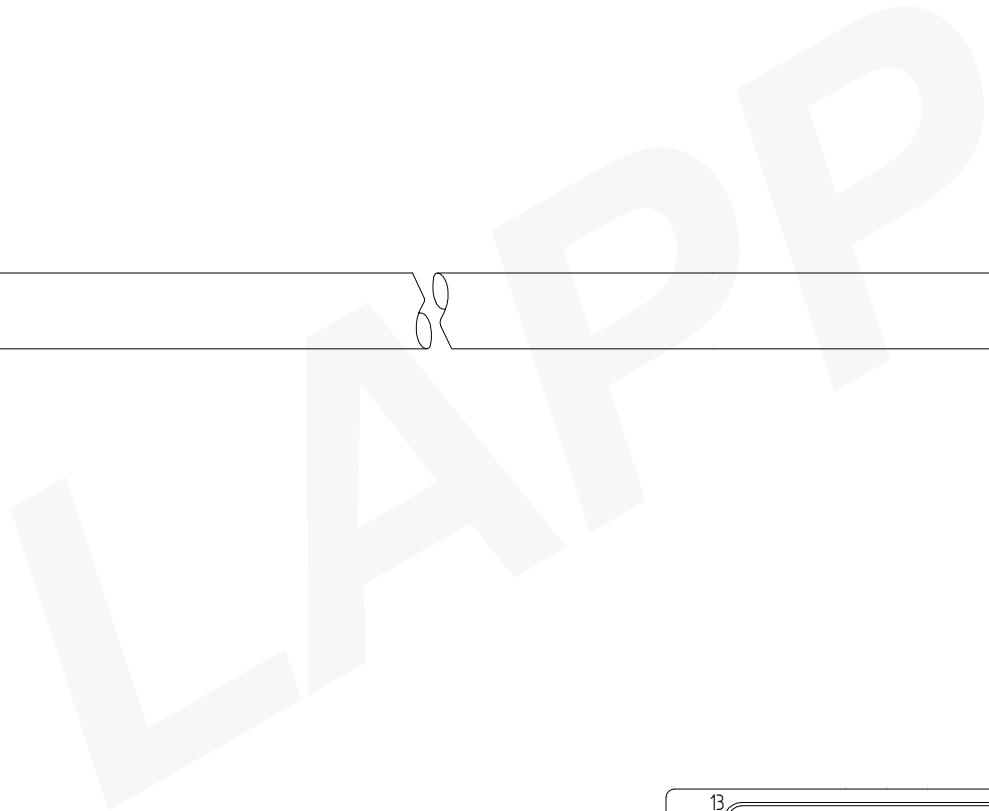
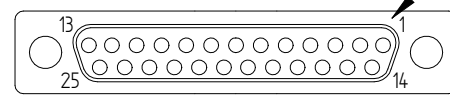
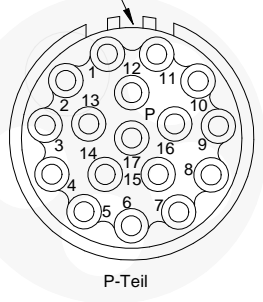
Pin 1

Pin 1

"A" →

Codierung 0°

"A"



				Date	Name	 <b>LAPP</b> Lapp Systems GmbH Oskar Lapp Strasse 5 70565 Stuttgart www.lappsystems.lappgroup.com	Project	Drawingnumber Customer	Partnumber Customer	
				edit	jagr1		Siemens	2CH00	Format DIN A4	
				check.	bolj1		Description	Übersicht	Partnumber.	
Rev.	Modification	Date	Name	verify.	Prep. for	Prep. by	GA-EAMP-DxAB-UBMR-0000-0000 6FXx002-2CH00	54701xx026	All measurements in millimetre Unless otherwise indicated, based on DIN47101	Sheet 1/3
1		2		3	4	5	6	7	8	