



DATA SHEET	52104505
SKINDICHT® KU-M	Valid from : 15.1.2016

The SKINDICHT® KU-M is a reducer made of glass fibre reinforced polyamide. The reducers enable the use of cable glands where an external thread is smaller than the already existing thread openings in machines, devices and housings.



Technical features:

Material	Polyamide, glass fibre reinforced
External thread	M16x1,5 up to M63x1,5 acc. to EN 60423
Internal thread	M12x1,5 up to M50x1,5 acc. to EN 60423
Temperature range	-40 °C up to +100 °C
Standard colour	RAL 7035 light-grey

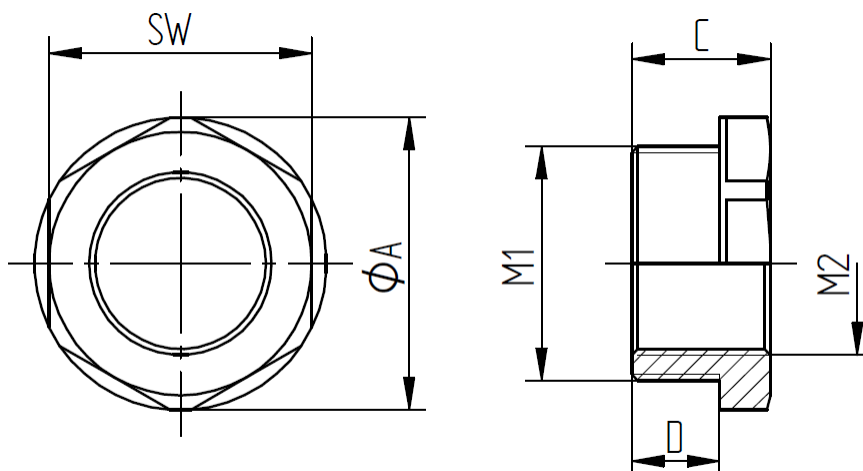
Norm references:



For more information please see our current catalogue.

Elaborated by: PDP: T. Dvoulety	Document: DB52104505_2EN	page 1 of 2
------------------------------------	--------------------------	-------------

DATA SHEET	52104505
SKINDICHT® KU-M	Valid from : 15.1.2016



External thread M1	Internal thread M2	SW [mm]	Ø A [mm]	C [mm]	D [mm]	Article No.
M16x1,5	M12x1,5	20	22	16	9	52104505
M20x1,5	M12x1,5	24	27	16	9	52104470
M20x1,5	M16x1,5	24	27	27	9	52104504
M25x1,5	M12x1,5	29	32	17	10	52104472
M25x1,5	M16x1,5	29	32	17	10	52104473
M25x1,5	M20x1,5	29	32	17	10	52104474
M32x1,5	M12x1,5	36	40	19	12	52104475
M32x1,5	M16x1,5	36	40	19	12	52104476
M32x1,5	M20x1,5	36	40	19	12	52104477
M32x1,5	M25x1,5	36	40	19	12	52104478
M40x1,5	M16x1,5	46	51	19	12	52104479
M40x1,5	M20x1,5	46	51	19	12	52104480
M40x1,5	M25x1,5	46	51	19	12	52104481
M40x1,5	M32x1,5	46	51	19	12	52104482
M50x1,5	M20x1,5	55	61	21	14	52104483
M50x1,5	M25x1,5	55	61	21	14	52104484
M50x1,5	M32x1,5	55	61	21	14	52104485
M50x1,5	M40x1,5	55	61	21	14	52104486
M63x1,5	M25x1,5	65	75	22	15	52104487
M63x1,5	M32x1,5	65	75	22	15	52104488
M63x1,5	M40x1,5	65	75	22	15	52104489
M63x1,5	M50x1,5	65	75	22	15	52104469