

HORUS[®]
PHOTOVOLTAIC
PROTECTION

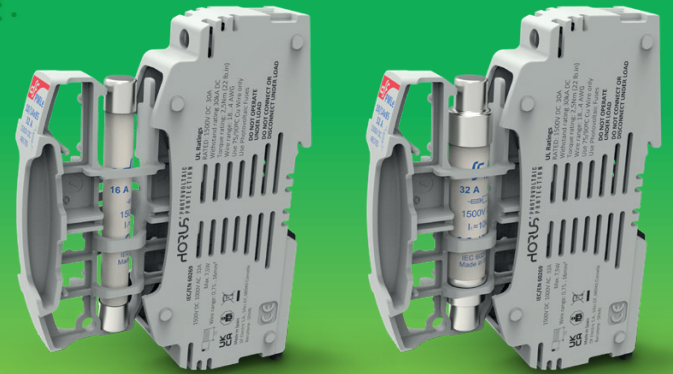


PHOTOVOLTAIC

FUSE LINKS & FUSE HOLDERS FOR PHOTOVOLTAIC APPLICATIONS

PMLe 1500V DC

PV fuse holder
for cylindrical fuse links



**PROTECTING
THE WORLD**





RATED CURRENT
32A

RATED VOLTAGE
1000V AC
1500V DC

MAXIMUM POWER DISSIPATION
7,5W

PROTECTION INDEX
IP20

STANDARDS
IEC/EN 60269-1
IEC/EN 60269-2
UL 4248-1
UL 4248-19
UL 486E



Fuse holder that offer 1500V DC rated voltages

Fuse holder for cylindrical fuse link size 10x85 according IEC/EN 60269 standard and 10-14x85.

Compact design, with reduced dimensions.

Ventilation zones optimized for a better heat dissipation.

Manufactured with a high quality materials

- Silver plated copper contacts.
- Plastic materials with high temperature resistance and self-extinguishable.
- All the materials are according to the European Directive RoHS (Restriction of the use of certain hazardous substances in electrical material) and also halogen free.



Extended range of accessories is available.

**PATENTED
DESIGN**

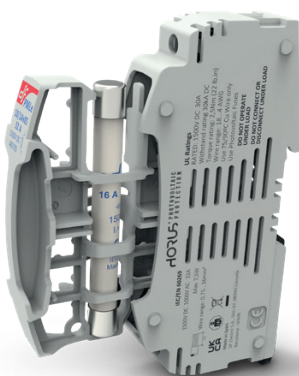
Range

PMLe fuse holder

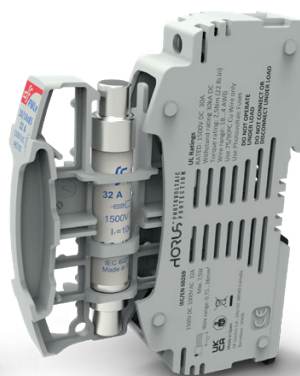
REFERENCE	POLES	MODULE (mm)	PACKING Uni /BOX
485705	1P	22,5	10/100

Accessories

REFERENCE	DESCRIPTION	PACKING Uni /BOX
485052	SPECIAL IP20 PROTECTION ACCESSORY	24
485656	SCREW'S PROTECTION ACCESSORY	20



10x85 position



10/14x85 position

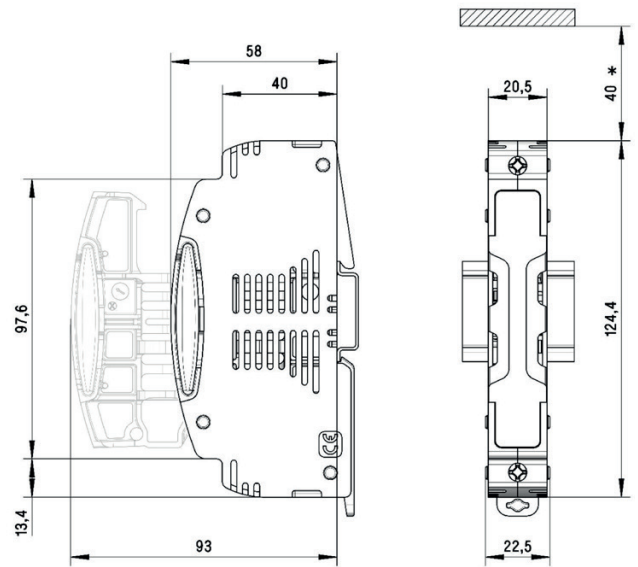


Technical data

Rated current	32A	
Rated voltage	1000V AC 1500V DC	
Maximum power dissipation	7,5W	
Power dissipation per pole	80% $I_n > 0,2W$ 100% $I_n > 0,3W$	
Pollution degree	3	
Protection index *	IP20	
Rated impulse withstand voltage	8kV U_{imp}	
Ambient temperature of service	-20°C ... 70°C	
Storage temperature	-40°C ... 80°C	
Derating by number of poles	POLES	I_{MAX}
	1 ... 4	I_n
	≥ 5	$0,85 \times I_n$
Correction of the admissible current in function of the temperature	20° C	1
	30° C	0,95
	40° C	0,90
	50° C	0,80
	60° C	0,70
	70° C	0,60

* For wires of section $\leq 6\text{mm}^2$ is necessary the use of the accessory to guarantee IP20 in clamps zone. ► [FIG. 2](#)

Dimensions



* Recommended mounting free space

Weight

1P

84,5gr

Weight without packing

Standards

IEC/EN 60269-1
IEC/EN 60269-2
UL4248-1 Fuse holders
UL4248-19 Photovoltaic fuse holders
UL486E Wiring terminals



Application characteristics

For mounting on DIN/EN standard rail	DIN 46277/1-3 (EN50022) Clip fixation with 2 positions
Screw fixation	Available with accessory ▶ FIG. 3
Connecting wire	

WIRES	METRIC	AWG	WIRING
1	0,75...16mm ² Flexible / Extra Flexible	18...4 AWG Flexible / Extra Flexible	10mm±1
2 Same cross section and type	0,75...6mm ² Flexible / Extra Flexible	18...8 AWG Flexible / Extra Flexible	

BUS-BAR applications

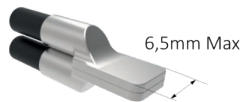
Clamping dimensions

THICKNESS	WIDTH	TORQUE
6,5mm	6,5mm	2,5 Nm / 22 lb.in Maximum

Wire-end terminals

The use of wire-end terminals may allow to increase the connecting wire section.

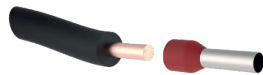
Wire-end terminals recommended mounting:



The use of wire-end terminals could not guarantee the IP20 protection degree.

Ferrules

It's recommended use of ferrules in wires with section ≤ 2,5mm²



The product is delivered with the terminals opened and ready to connect

Maximum tightening torque on terminals	2,5 Nm / 22 lb.in
Screws with a combined head	SLOT + PZ2

Accessories

FIG. 1 | Lock of the fuse holder

Systems to avoid the operation and connection

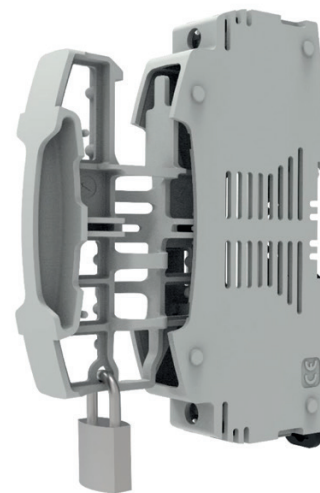
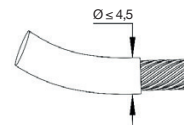


FIG. 2 | Special IP20 protection

The accessory must be positioned in the wire entries, if it's necessary to achieve the IP20 degree of protection with thin wires

485052 SPECIAL IP20 PROTECTION ACCESSORY



Manual assembly

To obtain an IP20 rating with cable protection of Ø ≤ 4.5mm, use the **special protection accessory**





Accessories

FIG. 3 | Screw fixation accessory

First mount the accessory with screws, then mount the fuse holder (there are available different accessories depending the number of the fuse holder)

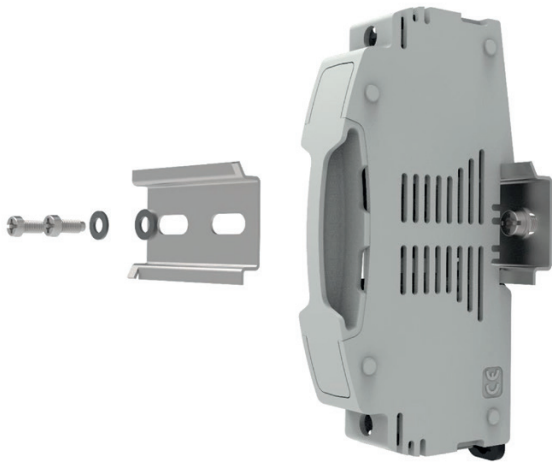


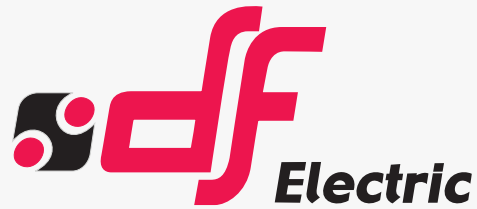
FIG. 4 | Screw's protection accessory

Protection accessory to avoid the screws manipulation and improve the protection degree

485656 SCREW'S PROTECTION ACCESSORY

Manual assembly





PROTECTING THE WORLD



HEAD OFFICE AND FACTORY

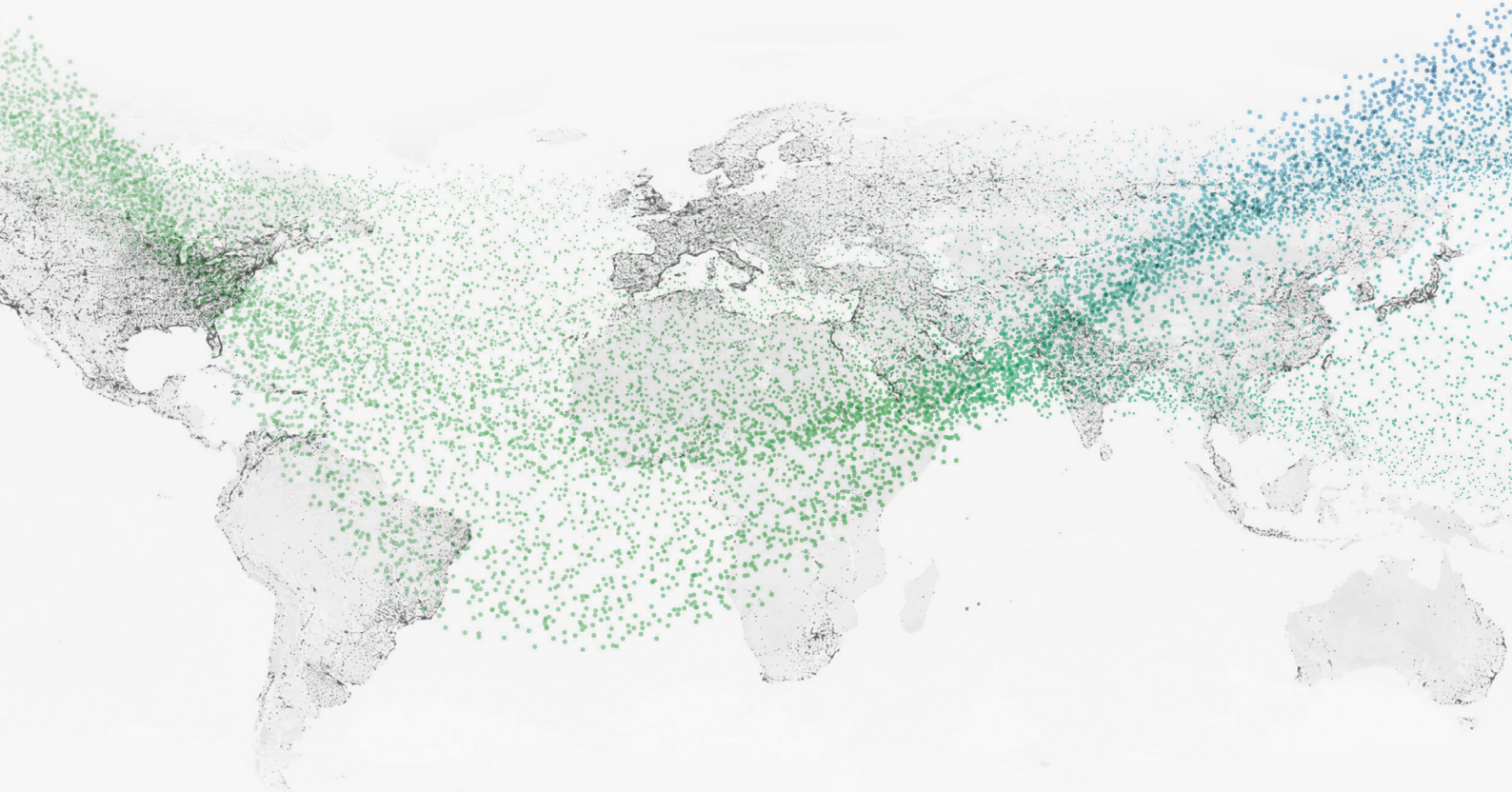
SILICI, 67-69
08940 CORNELLA DE LLOBREGAT
BARCELONA · SPAIN
Tel. +34 93 377 85 85
Fax +34 93 377 82 82

INTERNATIONAL SALES

Tel. +34 93 475 08 64
Fax +34 93 480 07 75
export@dfelectric.es

NATIONAL SALES

Tel. 93 475 08 64
Fax 93 480 07 76
comercial@dfelectric.es



dfelectric.es



According to the waste of electrical and electronic equipment directive, electrical material should not be part of the usual waste. This symbol alerts users that these products should be recycled according to local environmental waste disposal regulations.



The "electro technical expert" logo marked on the products included in this data sheet indicates that the installation of these products must be carried out by expert personnel with specialized knowledge.



To prevent electrical hazards, carry out the installation without voltage.



Safety notice
Please capture the following QR code and read our safety notice carefully before installing our products.



The data reflected in this technical record are subject to the correct installation of the product in accordance with manufacturer's instructions, relevant installation standards and professional practices, maintained and used in applications for which they were made.

The products described in this document have been designed, developed and tested in accordance with specific standard. They are considered components that are integrated as part of installation, machine or equipment. The correct general operation of the referred product is responsibility of the manufacturer of the installation, machine or equipment.

DF ELECTRIC cannot guarantee the characteristics of an installation, machine or equipment that has been designed by a third party. Once a product has been selected, the user must verify that it is appropriate for its application, through the verifications and/or tests that it deems appropriate.

DF ELECTRIC retains the right to change the dimensions, specifications, materials or design of its products at any time with or without notice.