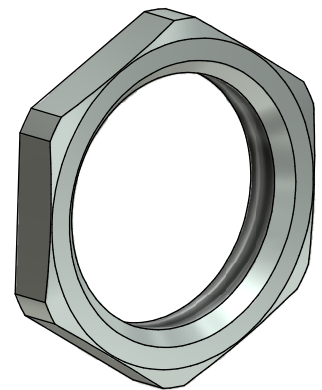
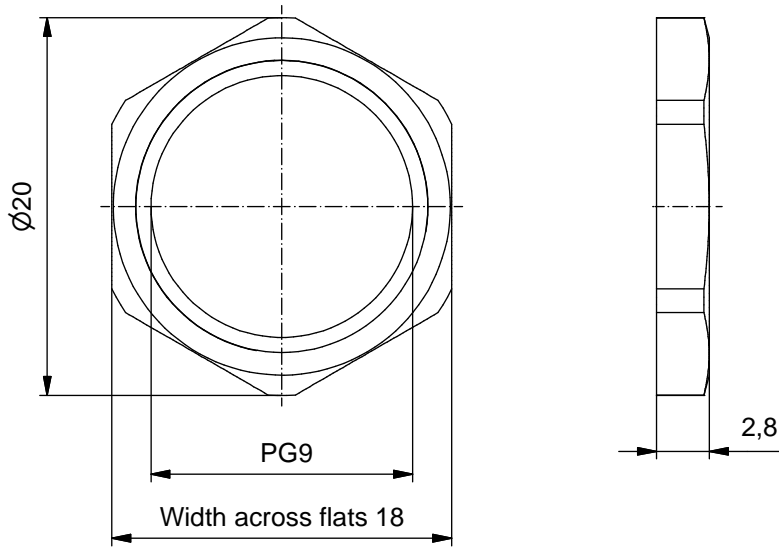
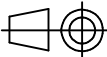



Materials:

Material: CuZn

Plating: Nickel gal.



DO NOT ALTER CAD DRAWING BY HAND Directive 2002/95/EC RoHS compliant	Index: b 19.11.13 fro Ä4998 dim 2,8 was 2,65	 dim. in mm	title: Hex nut PG9	
		date	name	
		drawn 19.09.08	Burschik	
		appd. 19.09.08	Fromm	dwg no: 43K1A744
	general tolerance: 0 ± 0,50mm 0,0 ± 0,25mm 0,00 ± 0,10mm			part no: 43-01156
THIS DRAWING MAY NOT BE COPIED OR REPRODUCED IN ANY WAY, AND MAY NOT BE PASSED ON TO A THIRD PARTY WITHOUT WRITTEN PERMISSION. OWNERSHIP AND COPYRIGHT OF CONEC GmbH				